

**SILENT**



Instrucciones de montaje

Instruction leaflet

Notice de montage

Montageanweisungen

Montage-en gebruiksaanwijzing

Instrucções para a montagem

Istruzioni per l'installazione

Användar instruktion

Brugervejledning

Instrukcja obsługi

Návod

Käyttöohjeet

Инструкции по сборке № РОСС ES.M Г01.B02910

Instrukcije za instalaciju i rukovanje

Οδηγίες εγκατάστασης και χρήσης

Інструкція Користувача

Montaj Kilavuzu

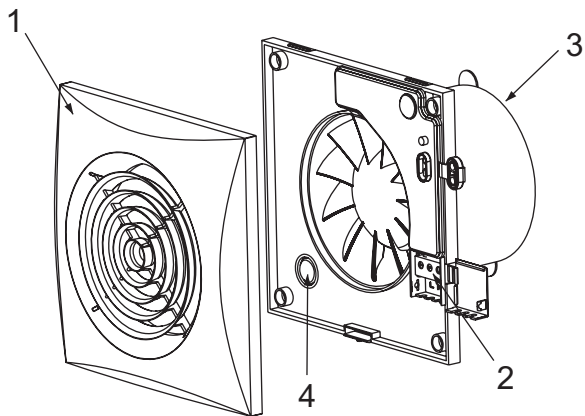


Fig.1a

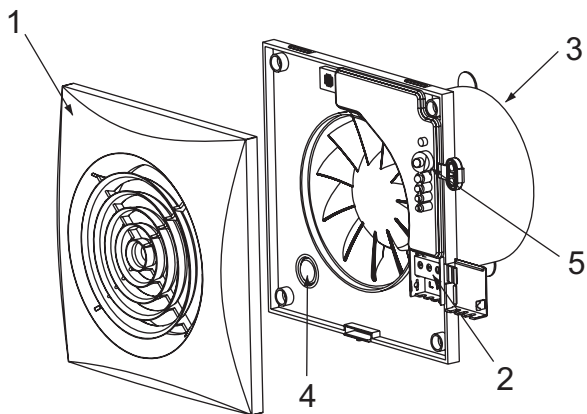


Fig.1b

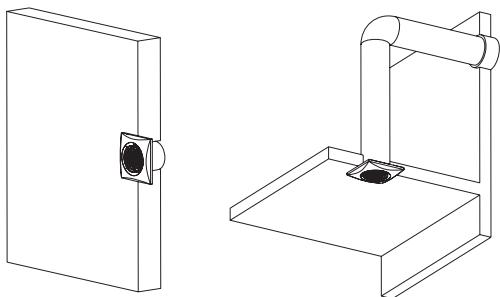


Fig.2

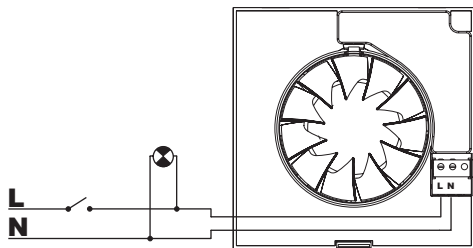


Fig.3

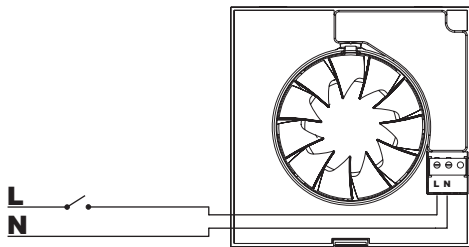


Fig.4

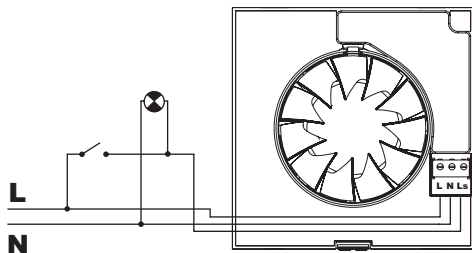


Fig.5

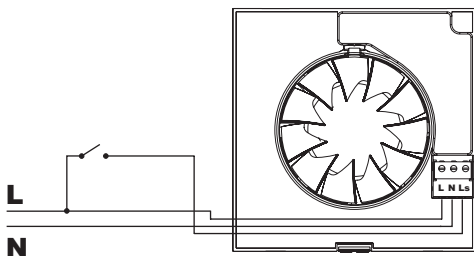


Fig.6

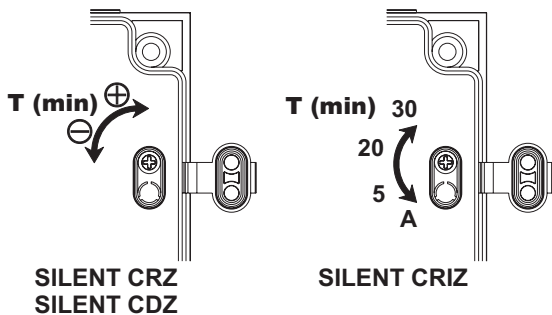


Fig.7

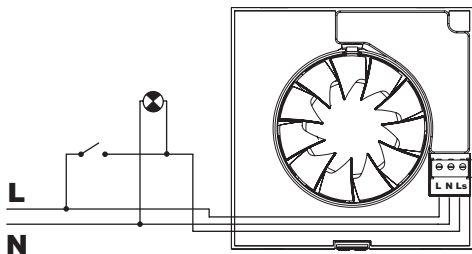


Fig.8

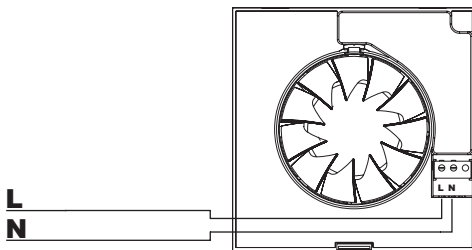


Fig.9

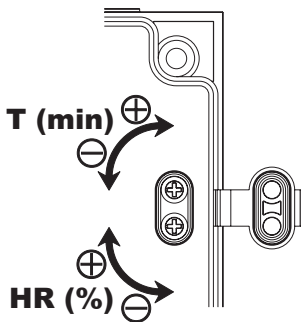


Fig.10

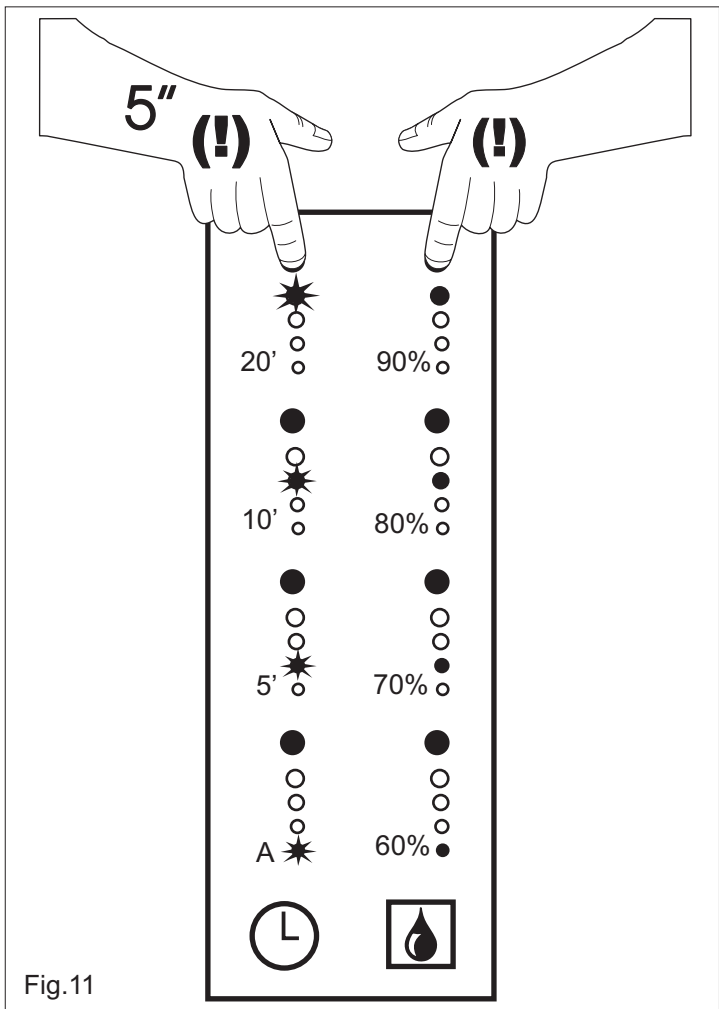


Fig.11

## ENGLISH

### SILENT Axial Extractor Fans

The SILENT extractor fan ranges are manufactured to the high standards of production and quality as laid down by the international Quality Standard ISO 9001. All components have been checked and every one of the final products will have been individually tested at the end of the manufacturing process.

- This appliance is not intended for use by young children or infirm persons unless they have been adequately supervised by a responsible person to ensure that they can use the appliance safely

- Young children should be supervised to ensure that they do not play with the appliance.

On receipt of the product we recommend that you to check the following :

1- That it is the correct size.

2- That it is the correct model.

3- That the details on the rating label are those you require: voltage, frequency ...

The installation must be carried out in accordance with the electrical standards in force in your country.

### Installation

**IMPORTANT:** Before installing and wiring the unit, ensure that the main supply is disconnected.

Precautions must be taken to avoid the back-flow of gases into the room from the open flue of gas or other fuel-burning appliances.

Fig. 1 / 1b:

1 : Protection grille

2 : Connection terminals

3 : Outlet with backdraught shutter

4 : Cable entry

5 : Adjustment dial (SILENT-100 CHZ VISUAL - fig. 1b)

The SILENT is suitable for wall or ceiling mounting and can either discharge directly to the outside or via an individual ducting system (see Fig. 2).

The unit can be mounted on the wall or ceiling using the 4 rubber blocks and the screws provided.

Make a hole in the wall or ceiling of diameter:

-SILENT-100: 105 mm

- SILENT-200: 125 mm

- SILENT-300: 160 mm

If the unit is to be installed with individual ducting, use a standard duct of diameter:

- SILENT-100: 100 mm

- SILENT-200: 125 mm

- SILENT-300: 150 or 160 mm

Ensure that there are no obstructions to the airflow and that the impeller turns freely.

Fix the extractor to the wall in such a way that it is not distorted in order to avoid noise generation or problems with the rotation of the impeller. Make sure that the backdraught shutter opens freely and has not been damaged in transit. Introduce the mains cable through the cable entry (4) and fix it to the wall. Connect the electrical wiring as set out below and then mount the protection grille (1).

### Electrical connection

The SILENT is an extractor designed for a single phase supply, with voltage and frequency as indicated on the rating plate of the unit. The units are manufactured with double electrical insulation (Class II) and therefore they do not need an earth connection.

The electrical installation must include a double pole switch with a contact clearance of at least 3 mm.

The electrical cable must enter the SILENT through the cable entry (4).

Once the cable has been introduced proceed using the electrical wiring diagram applicable to the selected model.

### SILENT CZ

For these models use the following diagrams:

Fig.3: Switching the extractor through the light switch.

Fig.4: To switch the fan through an independent switch.

### SILENT CRZ

This model is provided with an adjustable over-run timer. The timer allows the fan to continue to operate for the selected period after the switch has been turned off (fig.6).

Model provided with a 4 positions adjustable electronic timer: Fig.5 shows how to connect

the fan with timer utilising the same switch as for the lighting circuit.

To set the timer, turn the potentiometer on the printed circuit board as (fig. 7).

- To reduce the "run on" time, turn anticlockwise (min. 1 minutes)
- To increase the "run on" time, turn clockwise (max: 30 minutes).

### **SILENT-100 CRIZ (this version is only available as SILENT-100)**

This model is provided with an adjustable over-run timer. The timer allows the fan to continue to operate for the selected period after the switch has been turned off (fig.6).

**ATTENTION: The product also includes an over-run timer facility that starts the fan after the first 50 seconds of non-operation. After these first 50 seconds the fan operates automatically.**

Model provided with a 4 positions adjustable electronic timer: Fig.5 shows how to connect the fan with timer utilising the same switch as for the lighting circuit.

To set the timer, turn the potentiometer on the printed circuit board as (fig. 7).

#### **Position Auto:**

- If the period of operation is less than 50 seconds then the over-run timer will not operate
- If the period of operation is more than 50 seconds then the over-run timer will operate in accordance to the period of operation (with a maximum of 30 minutes).

**Position 5'**: 5 minutes "run on" time

**Position 20'**: 20 minutes "run on" time

**Position 30'**: 30 minutes "run on" time

### **SILENT CHZ**

Models provided with an electronic humidistat which can be adjusted from 60% to 90 % RH (relative humidity) and with a timer, adjustable between 2 and 20 minutes.

#### **Operation**

**Case 1:** Automatic operation (fig.9)

In automatic operation, the humidistat causes the extractor to operate automatically when the humidity level in the room is higher than the set level. The extractor will stop automatically when the humidity drops below

the selected level and after the selected period set on the timer.

**Case 2:** Automatic operation as in case 1 with the facility to override the hygrostat by means of the light switch (fig.8), when the humidity level in the room is lower than the selected level. In this case, the extractor continues to operate for the selected period set on the timer after the switch light has been switched off.

**ATTENTION: When the humidity rate is above the selected value, the automatic option takes precedence over the manual and the unit cannot then be switched off using a switch.**

The desired humidity level is selected by means of a potentiometer "% Hr" positioned on the printed circuit board (fig.10) and accessible once the grille (1) has been removed.

- To increase the humidity setting turn anticlockwise (min.60 %)
- To reduce the humidity setting turn clockwise (max. 90 %)

To set the timer, turn the potentiometer "t min." on the printed circuit board (fig.10):

- To reduce the "run on" time, turn anticlockwise (min. 2 minutes)
- To increase the "run on" time, turn clockwise (max: 20 minutes).

### **DECOR-100 CHZ VISUAL (this version is only available as SILENT-100)**

These models are provided with an electronic humidistat which can be adjusted between 60, 70, 80 or 90% RH (relative humidity) and with an automatic run-on-timer, adjustable between 5, 10 or 20 minutes. The humidistat adjustment can be made using the corresponding adjustment touch without the need to remove the front grille of the fan

#### **HUMIDISTAT**

The desired humidity level is selected by means of an adjustment touch (5 fig.11) located on the front grill. The corresponding relative humidity level, 60-70-80 or 90%, is then visually indicated via one of four neon lights. All models are factory set as standard to a 90% relative humidity level.

## OVER-RUN TIMER

This product controls automatically the over-run time, which is proportional to the time that has been needed to bring the relative humidity level to the adjusted level, depending on which the over-run will range from 2 minutes to a maximum of 20 minutes.

### Operation

**Case 1:** Automatic operation (fig.9)

In automatic operation, the humidistat causes the extractor to operate automatically when the humidity level in the room is higher than the pre-set level. The extractor will stop automatically when the humidity drops below the selected level and after the selected period set on the over-run timer.

**Case 2:** Automatic operation as in case (1) but with the facility to override the humidistat by means of the light switch (fig.8), when the humidity level in the room is lower than the selected level. In this case, the extractor continues to operate for the selected period of time (over-run timer) after the switch light has been switched off.

- If the period of operation is less than 50 seconds then the over-run timer will not operate.

- If the period of operation is more than 50 seconds then the over-run timer will operate in accordance to the pre-set time period.

**ATTENTION: When the humidity rate is above the selected value, the automatic option takes precedence over the manual and the unit cannot then be switched off using a switch.**

### SILENT-100 CDZ (this version is only available as SILENT-100)

Models provided with a PIR (passive infrared) detector. The unit starts automatically when a movement is detected with a maximum distance of 4 metres (fig.9).

They are also fitted with an adjustable "run on" timer (1 to 30 minutes), and the unit will continue to operate for the set period after initiation by the movement detector.

= To set the temporisation, turn the potentiometer on the printed board (fig.7):

- To reduce the "run on" time, turn anticlockwise (min. 1 minute)

- To increase the "run on" time, turn clockwise (max: 30 minutes).

### Maintenance

The extractor fan only requires periodical cleaning using a cloth lightly impregnated with a soft detergent.

### After Sales Service

We recommend you not to try to dismantle or remove any other parts than those mentioned as any tampering would automatically cancel the S&P guarantee. If you detect any fault, contact your S&P dealer.

S&P reserves the right to alter specifications without notice



Recycled  
paper

Ref. 288296049



**Soler & Palau Sistemas de Ventilación S.L.U.**

C/ Llevant 4  
08150 Parets del Vallès (Barcelona)  
ESPAÑA  
Tel. 93 571 93 00  
Fax 93 571 93 01  
Fax int. + 34 93 571 93 11  
e-mail: [consultas@solerpalau.com](mailto:consultas@solerpalau.com)  
Web: [www.solerpalau.com](http://www.solerpalau.com)

