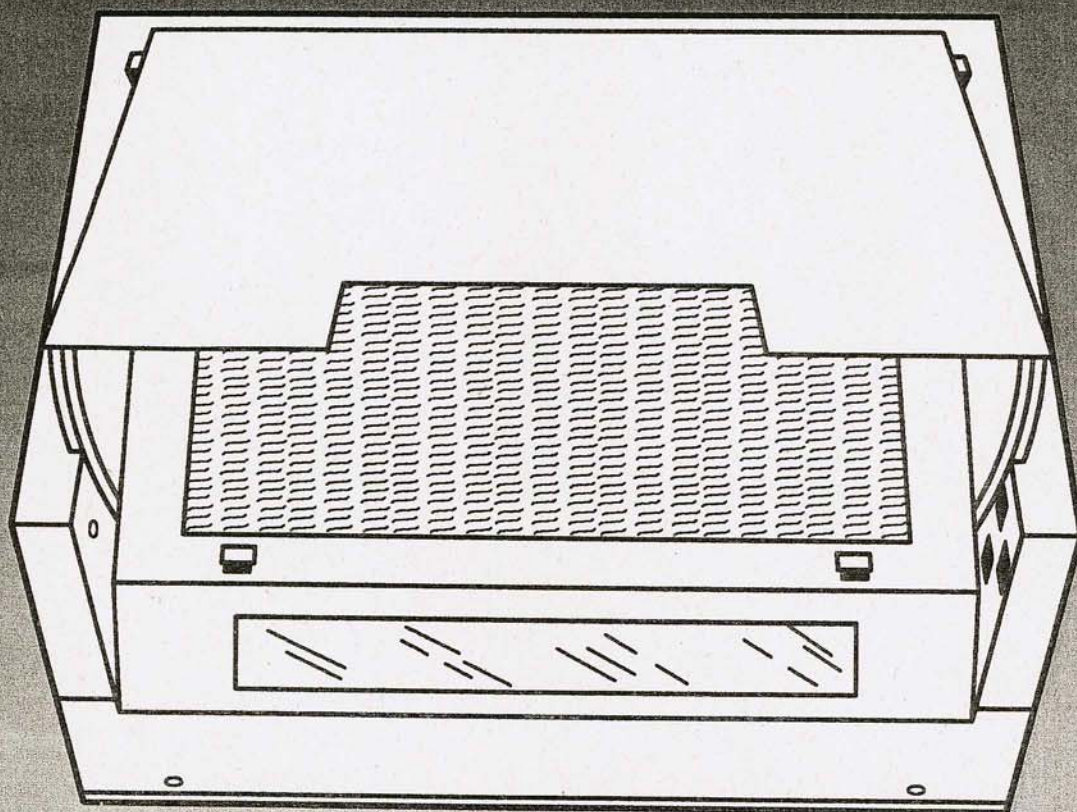




Campanas Panelables

CEB-60 N

CEB-60 N Bimotor



Instrucciones de montaje y uso.
Instructions on mounting and use.
Prescriptions de montage et mode d'emploi.
Instrucciones de instalação e uso.

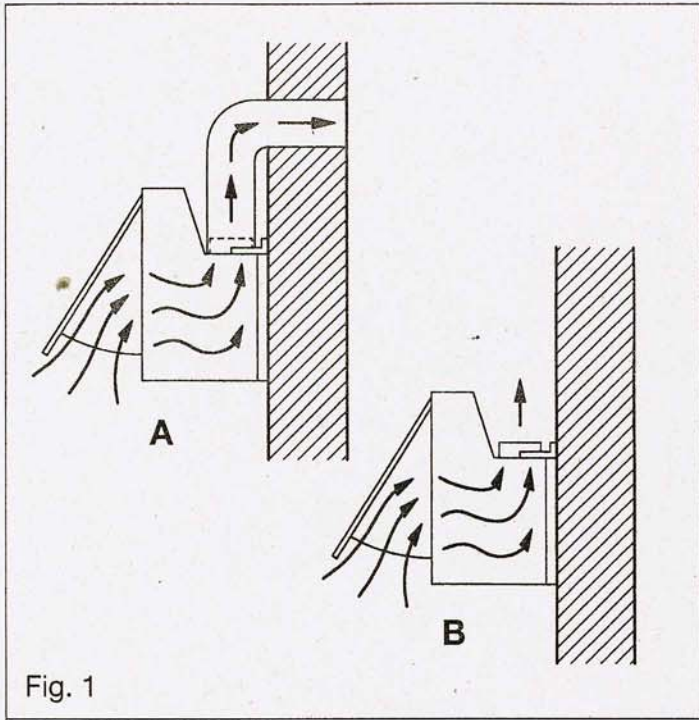


Fig. 1

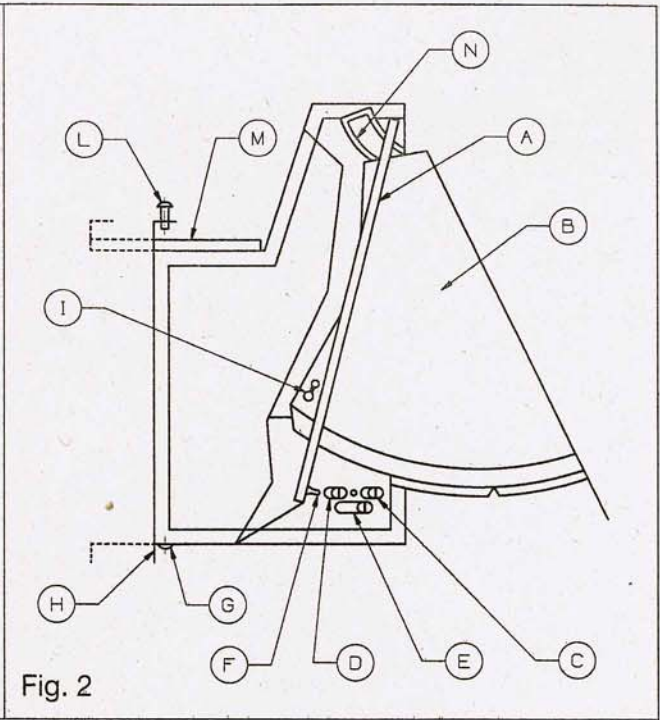


Fig. 2

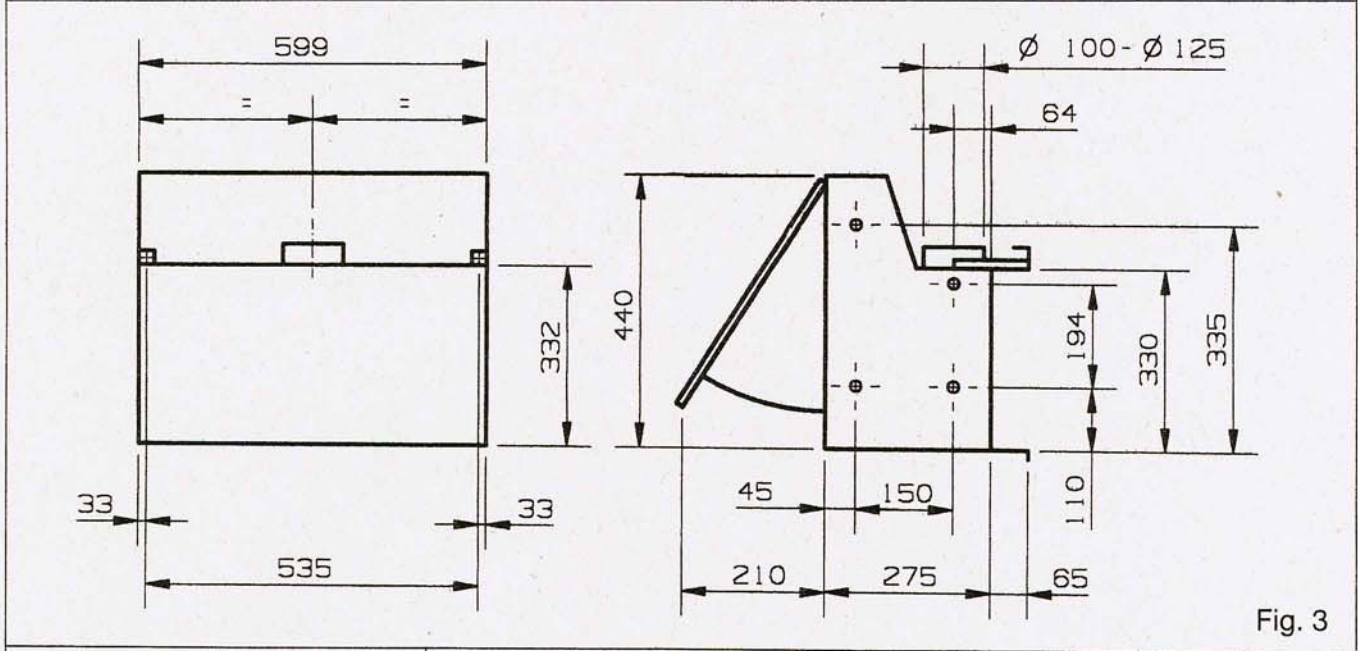


Fig. 3

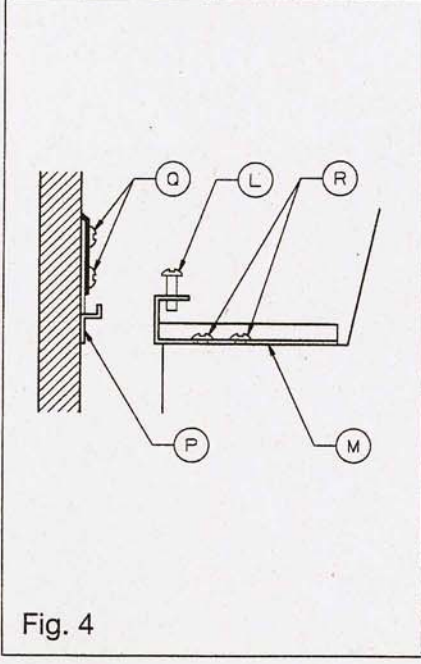


Fig. 4

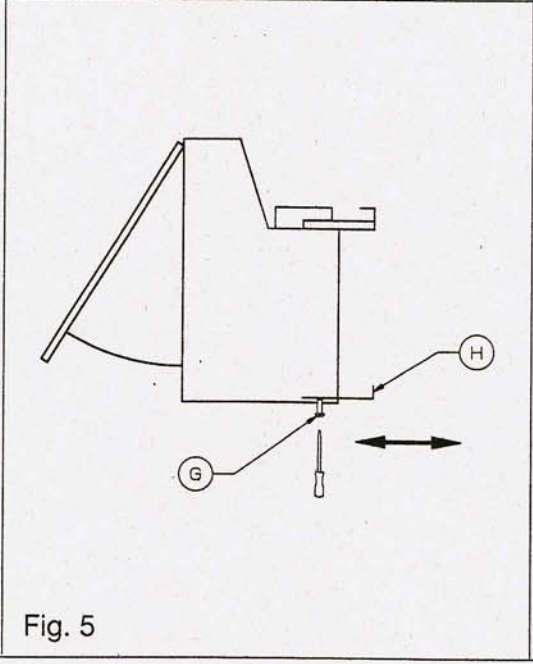


Fig. 5

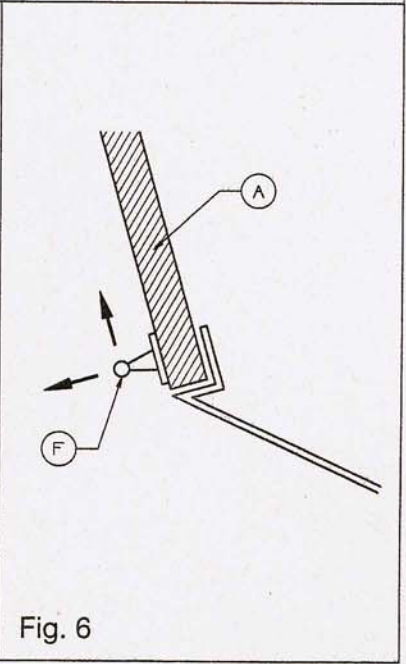


Fig. 6

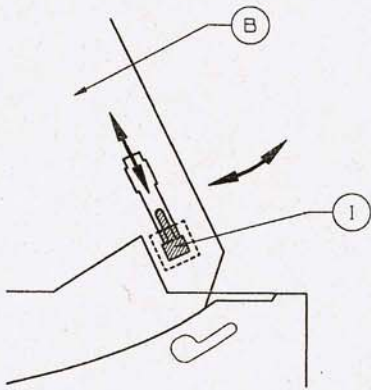


Fig. 7

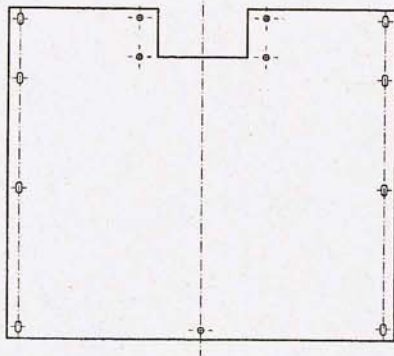


Fig. 8

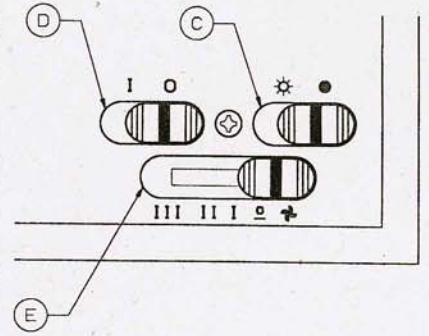


Fig. 9

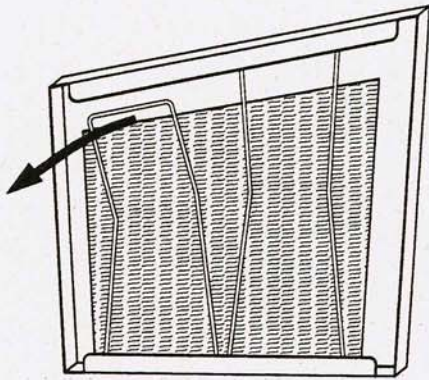


Fig. 10

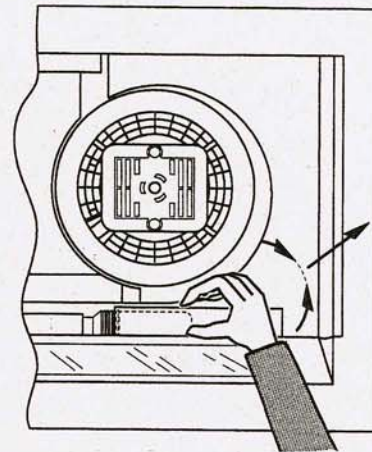


Fig. 11

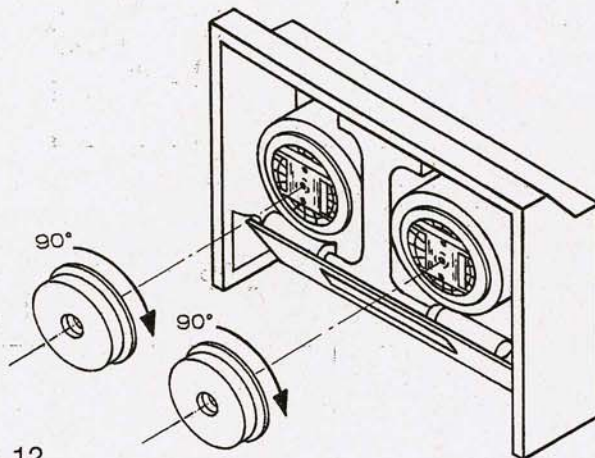
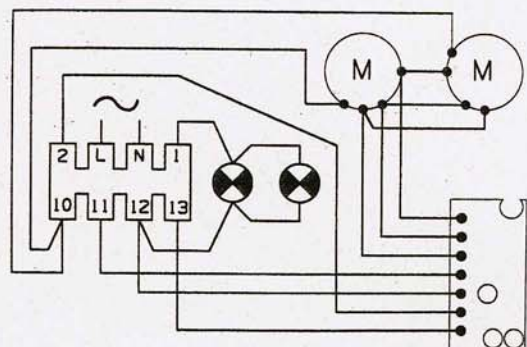
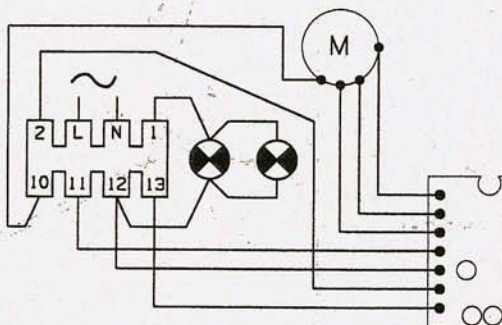
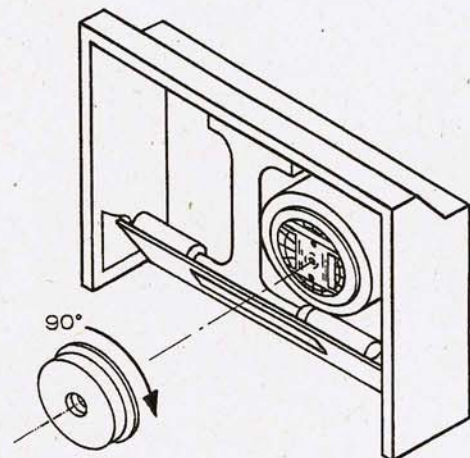


Fig. 12



This integrated model may be used as an exhaust or filter hood. Since these instructions cover more than one type of hood within the same series, it may be that reference is made to components that do not form part of the hood that you are installing.

If evacuation is available (exhaust duct or air flue) we recommend using the hood in the exhaust version to discharge all the kitchen vapours and odours outdoors.

EXHAUST VERSION

The hood must be connected by the spigot (supplied as part of the hood) to a duct to vent all the exhausted air outside the kitchen. Over horizontal areas, if any, the duct must be slanted out about 10% upwards of the hood in direction towards the outside.

Note – The shorter the exhaust duct is and the fewer bends there are in it, the more effective will the cooker hood be. When using the exhaust version, follow these rules: Do not connect the exhaust hood to chimneys, flues and air ducts serving the room. Before venting into exhaust flues and air ducts no longer in use, ask for the approval of the person or agency responsible for the building. The evacuated air must not be led into a warm air duct.

SUGGESTIONS FOR USING THE HOOD IN EXHAUST POSITION

When an exhaust hood and a heat source requiring ambient air (e.g. gas, oil, coal stoves, etc.) are used at the same time, attention is required because the air necessary for combustion is exhausted from the room through the hood and this creates depression. There is no such danger when the maximum depression in the room is 0,04 mbar. In this condition no exhaust gas from the heat source is piped.

To assure this condition, make openings in the room which cannot be closed (doors, windows, etc. are not sufficient) and through which the air necessary for combustion can freely flow.

Note – All the exhaust ductwork in the apartment or house should be studied. In case of doubts, get advice or authorization from the person or agency responsible for the building. When using gas burners, gas ovens, etc., as well as when using the hood in the filter version, these precautions are not necessary.

FILTER VERSION

This version is used when no exhaust duct to the outdoors is available. The air is purified by an active vegetable carbon filter and recycled into the room. Make sure the carbon odour filter is inserted. The outlet spigot must be connected to a duct which passes through the cabinet and discharges the filtered air out of the same.

MOUNTING HEIGHT

The hood must be fixed centrally above the hob. The minimum distance between the hob and the under part of the hood must be 650 mm.

Note – The distance, however, is subject to the safety rules in effect in the various countries. To install the hood please consider the following dimensions.

WALL FIXING

Drill 4 holes into the wall and fix the 2 hooking plates P (Fig. 4) with the dimensions as indicated in Fig. 2, then tighten the screws A (2 for each plate). Put the wall bracket M to the plate hook P. To obtain the required depth loosen the screws R, let the brackets slide, then tighten the 2 screws R. To counterbalance the required depth on the lower side of the hood, please find a moving spacer H to extract sufficiently after having loosened the screws G (Fig. 5). After the hood is lined up correctly, fix again the 2 screws G. For levelling the hood in height use the screws L (one for each bracket M) and tighten or loosen them as needed (Fig. 4).

MOUNTING OF DOOR PANEL

Remove the grille A by using the grip F till setting it free, then pull as shown in Fig. 6. Note the rear parts of side B of the door with the course ends 1 (Fig. 7) are visible. Push upwards both course ends till blocking them and draw the door which is now freed. Mount the wooden panel to the door by putting the self threading screws 2,9x12,7 in their holes 1 (Fig. 8) without tightening them. Hang the door together with the panel on the hood, introducing the upper and lower slides in their seats, close it and align it with the other cabinets. Tighten the screws in the holes 1 and remove once again the door from the hood in order to complete the fastening of the panel by putting the other self threading screws in their seats. Remount the door on the hood and push till to the first stop, then bring down again both course ends 1 and reassemble the grille A putting it into the slide N. (Fig. 2) by pushing upwards towards you. Then pull it down making sure that fits perfectly into its place.

ELECTRIC CONNECTION

Make sure the supply voltage ratings correspond with those stated on the appliance rating label.

This appliance is double insulated do not connect to earth.

Attention: If the appliance does not have a plug, when making a fixed installation, a cutoff device must be used to assure omnipolar disconnection of the mains. The cutoff distance of the contacts must be at least 3 mm.

OPERATING INSTRUCTIONS

The hood should be switched on either before or at the same time as cooking or frying commences. Controls (Fig. 9).

- C. Light switch – moving it to the left the lights will turn on.
- D. General switch – if the button is in the position of the figure the hood is turned off - moving it to the left it starts running.
- E. Speed variator – moving the button to the left the motor speed increases and with this the exhaust capacity of the hood.

Note: When the door is closed, the motor does not run. Leaving the button D at the left, the button E in connection with speed and opening the door, the motor will turn on automatically.

Note: The button E can control either a 3 speed switch or an electronic speed variator, according to the model.

MAINTENANCE

Note – When performing maintenance operations, disconnect the plug from the socket. Vapours and odours in the air are exhausted first through the grease filter and then (if the hood is in filter version) through the odour filter. The efficiency of the appliance depends on the condition of the filters.

GREASE FILTER

This absorbs vapour-suspended grease particles and protects the kitchen and furniture from greasy residues. There are three different types:

1. Acrylic

It can be washed at more or less frequent intervals depending on how often the hood is used. In any case, it should be washed every thirty days of hood operation. To do so, wash the filter by hand in warm soapy water (do not wring the filter, press it in a cloth to dry).

2. Special paper (not washable)

With red diagonal lines on the top of the sheet. Change the filter when the diagonal lines are visible from below through the grille holes.

3. Aluminium layers

The filter should be washed every 10-15 days (in normal operating conditions). Dip the filter into a degreaser solution or put it in the dish washer. Make sure not to damage the filter which is made of several layers of thin alloy, by hitting or crushing it.

ACTIVE CARBON ODOUR FILTER

The exhausted air passes through the active carbon filter and is cleaned. This filter cannot be washed and must be replaced depending on how often the hood is used (about twice a year).

CHANGING THE GREASE AND ODOUR FILTERS

The grease filter is placed in the inner of the grille. In order to replace it the grid must be removed. Take off the 2 retaining wires Y which hold it in its place. The filter can be washed or replaced and be fixed to the grille again. In order to replace the carbon filter, it is sufficient turn counter clockwise (Fig. 12). Clean the outside of the hood with a sponge soaked with liquid neutral detergent or with a cloth soaked with denatured ethyl alcohol. Do not use products containing abrasives.

SUBSTITUTION OF THE LAMPS (Fig. 11)

Remove grid A and unlock deflectors B from their seat, replace lamps C and put deflectors back to their initial position. If the lamps fail to light when operating the switch, make sure they are screwed in before calling a technician.

Note – The lamps must be only of «candle» type. Never use lamps with higher rating than that indicated on the lamp lens.

SAFETY RULES

Do not do any flambe cooking underneath the hood. When frying, never leave the pan alone because the cooking oil could flare up. Clean all the surfaces frequently to avoid danger of fire. To do so use a cloth or a brush soaked in denatured ethyl alcohol. It is also important to remove and clean or substitute frequently all filters installed in the hood.