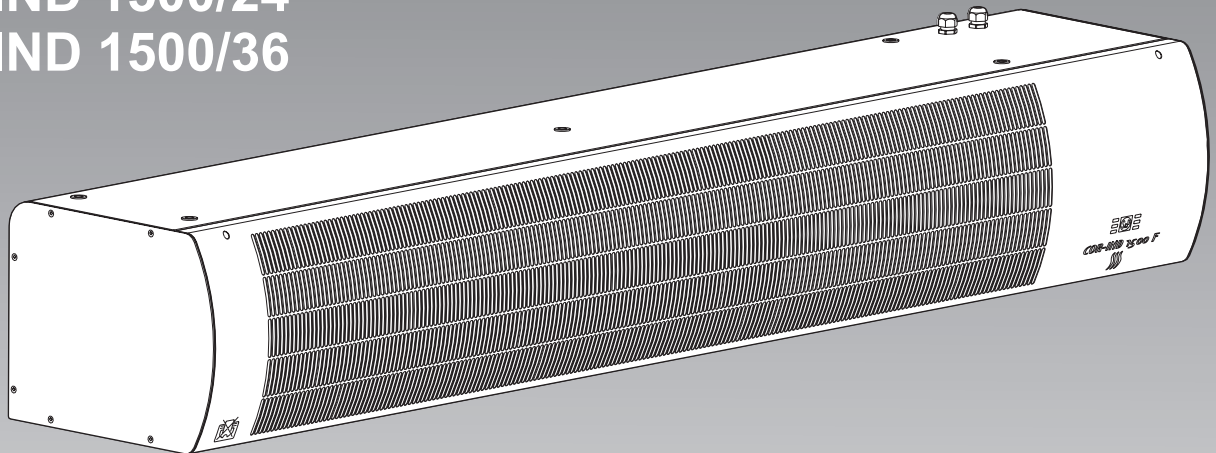
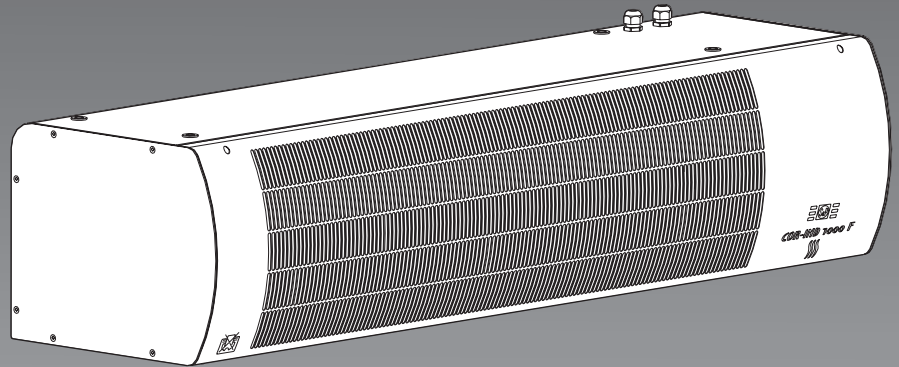




**CORTINAS DE AIRE INDUSTRIALES  
INDUSTRIAL AIR CURTAINS  
RIDEAUX D'AIR INDUSTRIEL  
BARRIERE D'ARIA INDUSTRIALI  
CORTINAS DE AR INDUSTRIAIS  
INDUSTRIELLE TOR-LUFTSCHLEIER  
INDUSTRIËLE LUCHTGORDIJNEN  
PRZEMYSLOWE KURTyny POWIETRZNE  
IPARI LÉGFÜGGÖNYÖK  
BIOMHXANIKES AEPKOYPTINES**

**COR-IND 1000 F  
COR-IND 1000/18  
COR-IND 1000/24  
COR-IND 1500 F  
COR-IND 1500/24  
COR-IND 1500/36**



**MANUAL DE INSTALACIÓN. INSTRUCCIONES DE USO.  
INSTALLATION AND OPERATION MANUAL.  
NOTICE D'INSTALLATION ET D'UTILISATION.  
ISTRUZIONI D'USO ED INSTALLAZIONE.  
INSTRUÇÕES DE USO E MONTAGEM.  
GEBRAUCHS- UND MONTAEANWEISUNGEN.  
LUCHTGORDIJNEN.  
INSTRUKCJE UŻYTKOWANIA I MONTAŻOWE.  
HASNÁLATI ÉS SZERELÉSI UTASÍTÁSOK.  
ΟΔΗΓΙΕΣ ΕΓΚΑΤΑΣΤΑΣΗΣ ΚΑΙ ΛΕΙΤΟΥΡΓΙΑΣ**

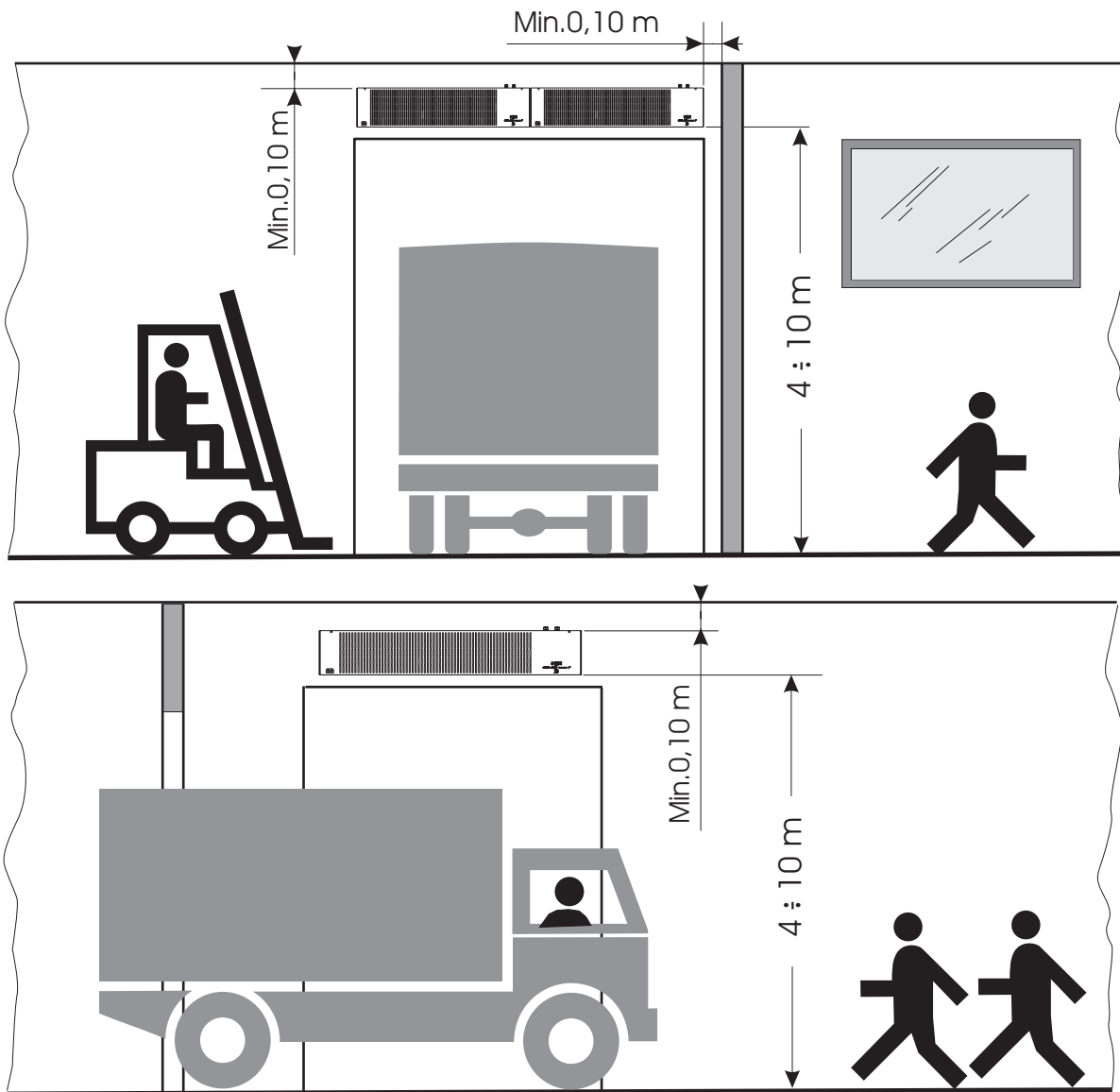
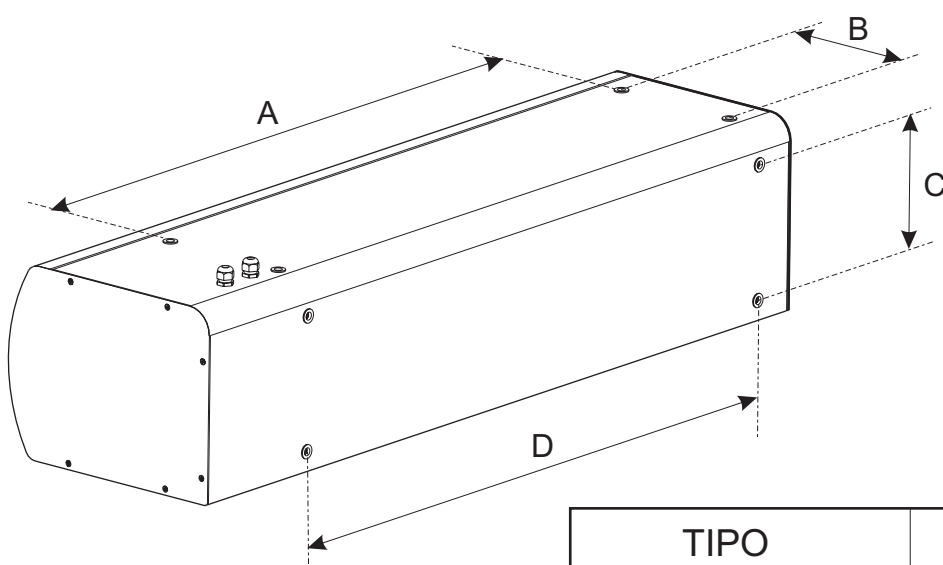
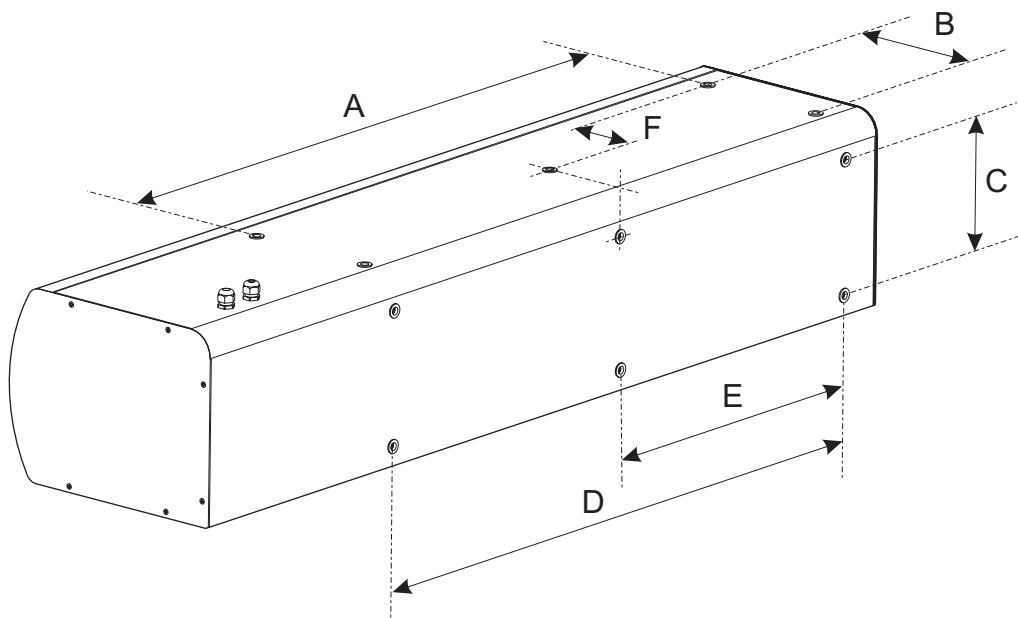


Fig.1



TIPO	A	B	C	D
COR-IND 1000 F				
COR-IND 1000/18	1076	220	220	1076
COR-IND 1000/24				

Fig.2 (a)



TIPO	A	B	C	D	E	F
COR-IND 1500 F						
COR-IND 1500/24	1067	220	220	1607	826	89
COR-IND 1500/36						

Fig.2 (b)

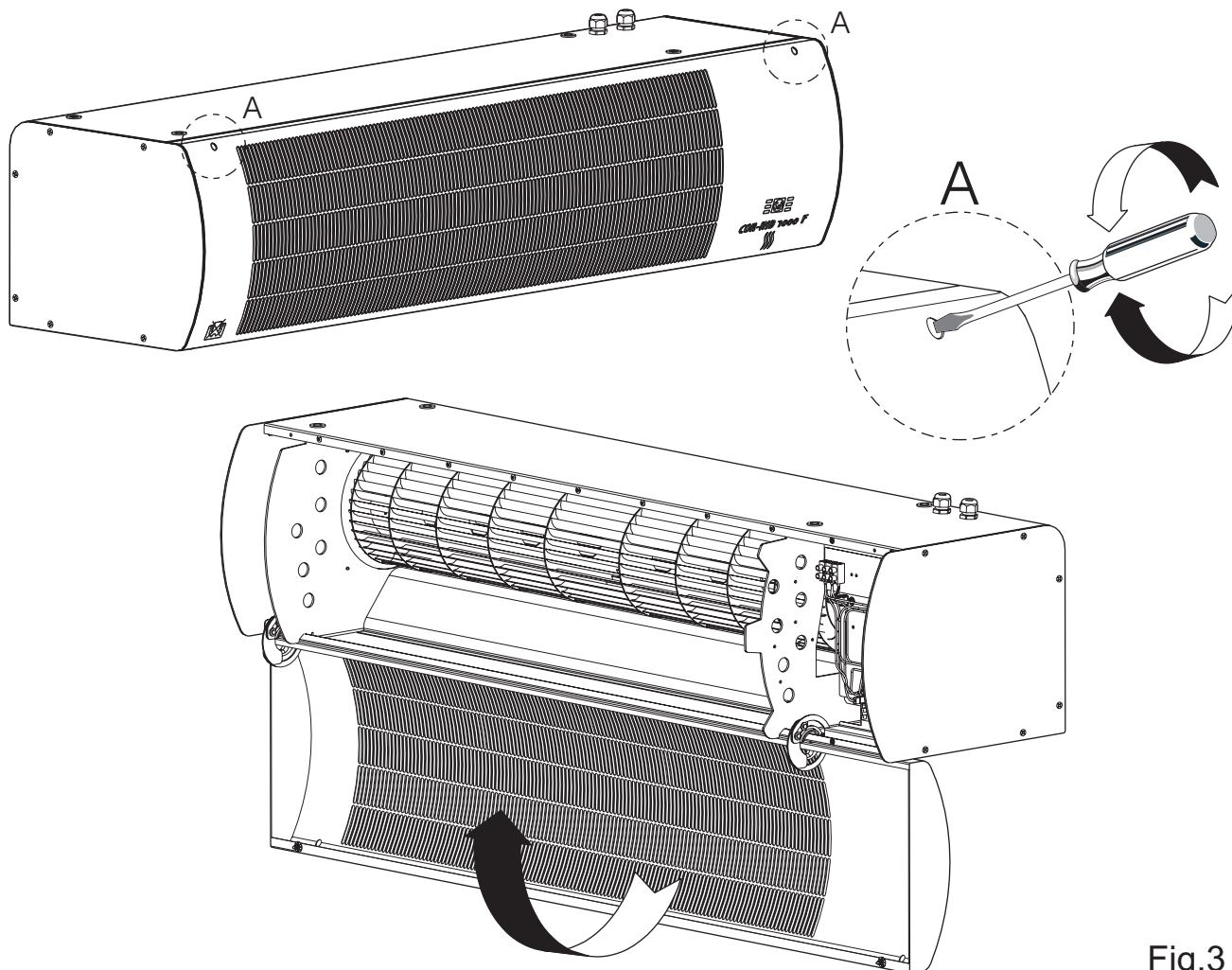
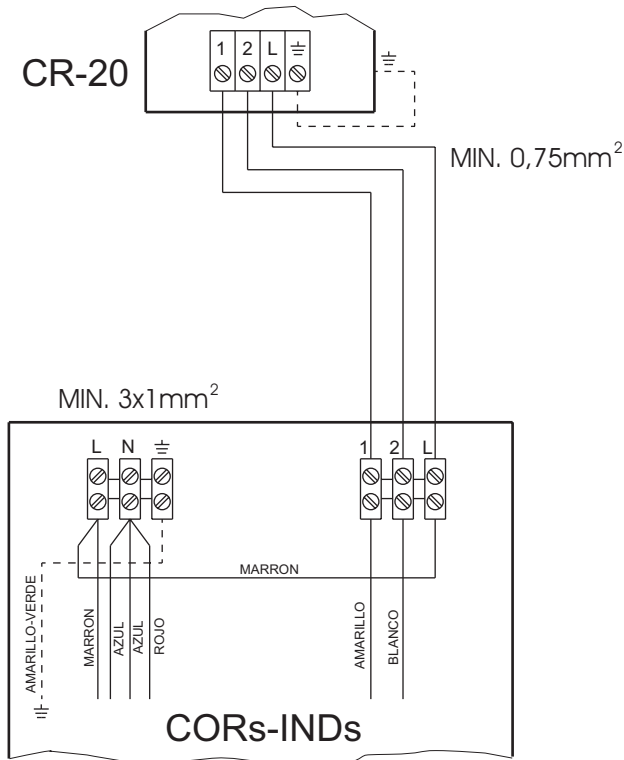


Fig.3

# COR-IND 1000 F - COR-IND 1500 F

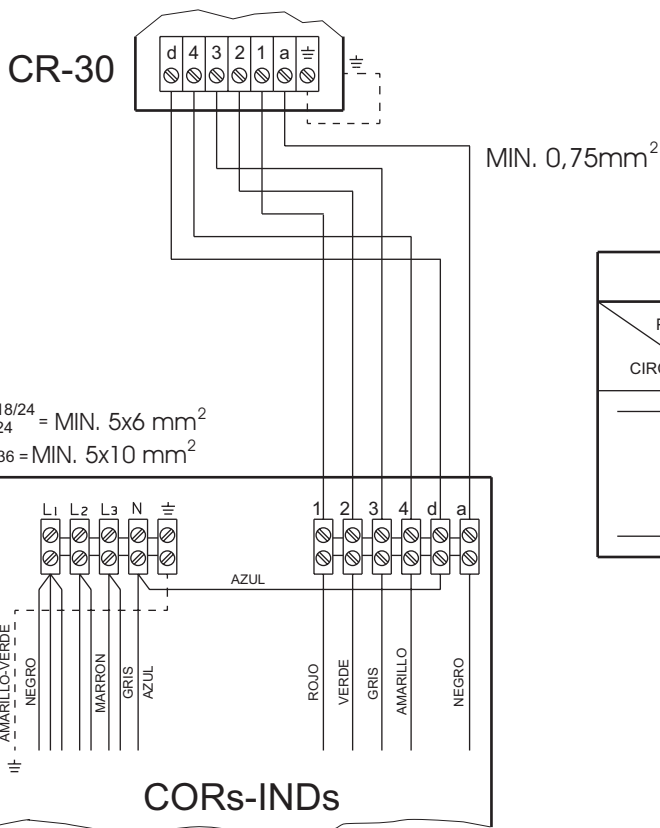


## CONTROL CR-20

SECUENCIA CONEXIONES		1	2	3	
POSICIONES		●	●	●	
CIRCUITOS					
	a	○ 1	●		
		○ 2		●	

Fig.4 (a)

# COR-IND 1000 /18 - COR-IND 1000 /24 COR-IND 1500 /24 - COR-IND 1500 /36



COR-IND 1000/18/24  
COR-IND 1500/24 = MIN. 5x6 mm<sup>2</sup>  
COR-IND 1500/36 = MIN. 5x10 mm<sup>2</sup>

## CONTROL CR-30

SECUENCIA CONEXIONES		1	2	3	4	5	6	7
POSICIONES		●	●	●	●	●	●	●
CIRCUITOS								
	a	○ 1		●		●		
		○ 2				●	●	●
		○ 3	●	●			●	●
		○ 4	●					●

Fig.4 (b)

# COR-IND 1000 F - COR-IND 1500 F

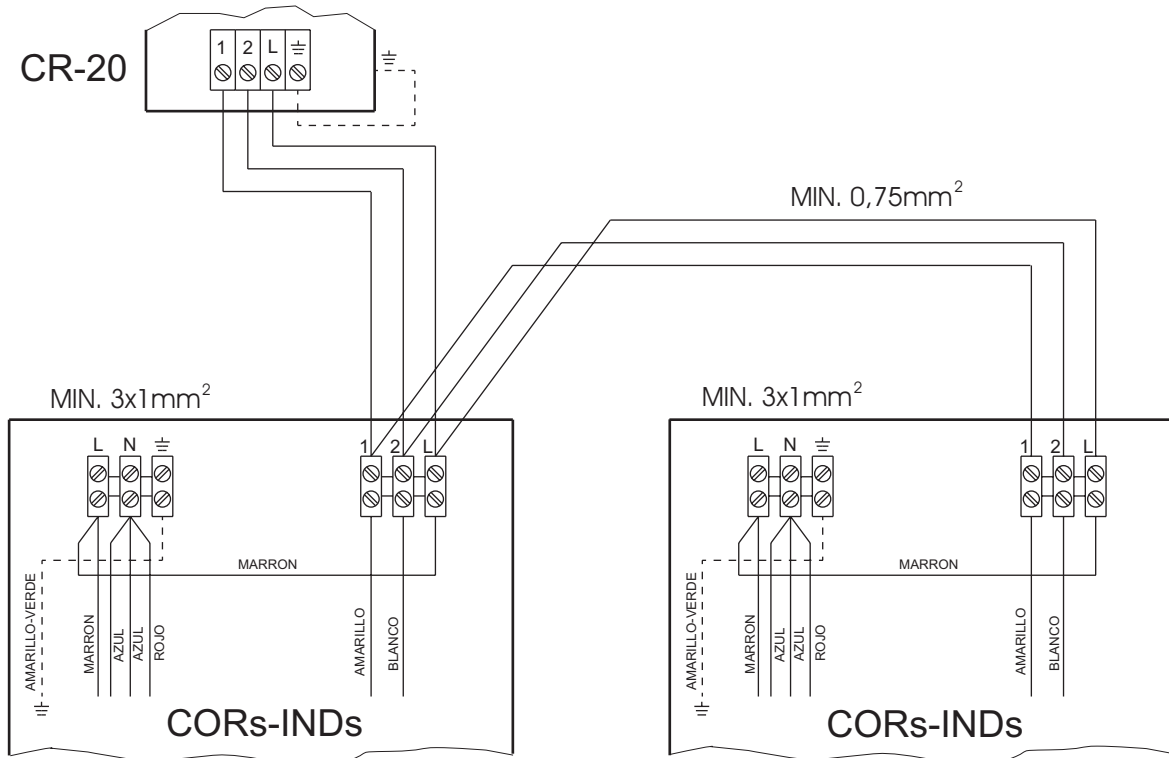


Fig.5 (a)

# COR-IND 1000 /18 - COR-IND 1000 /24 COR-IND 1500 /24 - COR-IND 1500 /36

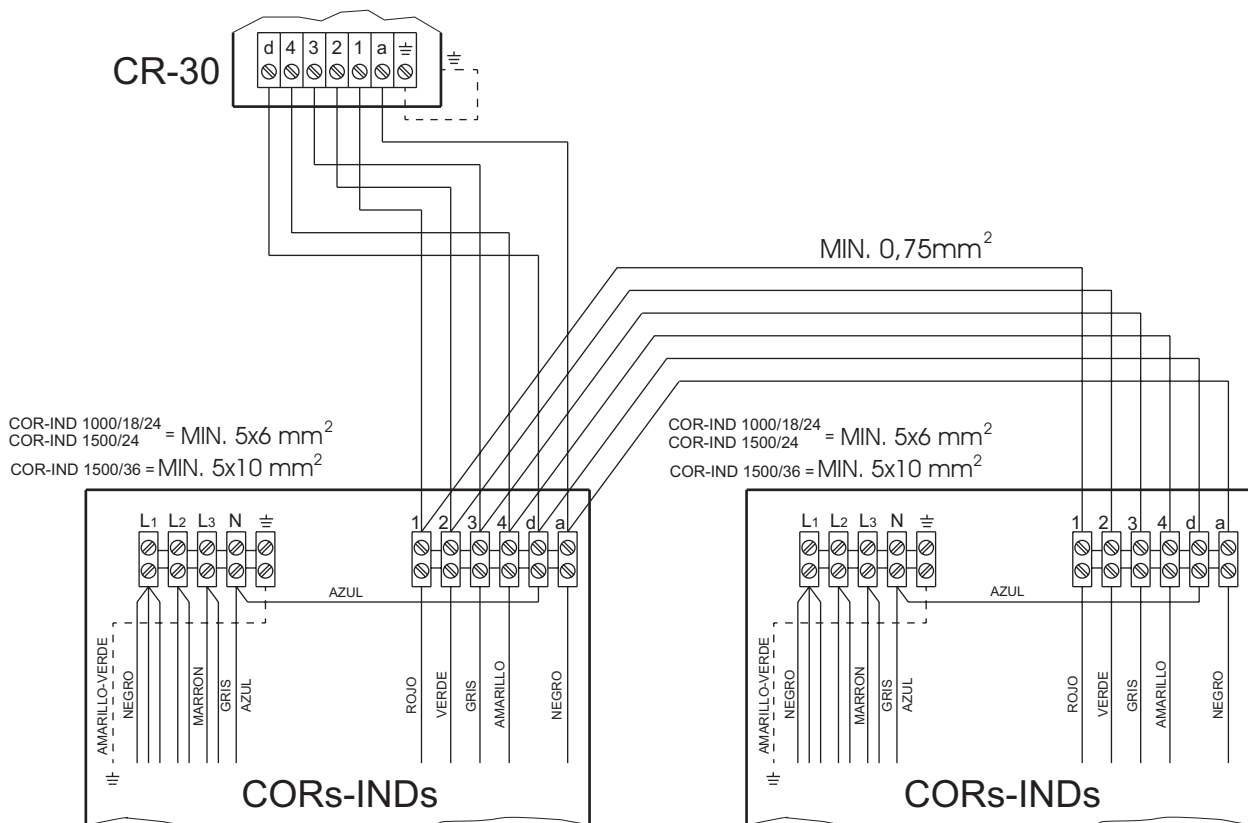


Fig.5 (b)

## ENGLISH

Except for the COR IND 1000 F and COR IND 1500 F, which can only be used as an Air Curtain with fresh air, the rest of models in this range have the option of working either with fresh or warm air.

We advise you to check that the unit is in perfect condition when unpacking it, as any manufacturing or quality defect is covered by the S&P guarantee.

### IMPORTANT: SAFETY GUIDELINES

The appliance must not be right above or below a socket.

Do not cover the unit with clothes or objects that may obstruct the airflow and cause overheating.

While in operation, the connection cable must not be in front of the air outlet.

If it is installed in the bathroom, it must be placed so that the switches or other control devices cannot be touched by anyone in the bathtub or shower.

There must not be any inflammable objects at less than 50 cm from the unit (such as window curtains, etc.)

Keep the inlet and outlet grilles clean. When cleaning them, disconnect the unit from the main supply.

Do not manipulate the unit with wet hands.

The installation work must be carried out by an electrician.

### IMPORTANT: THIS APPLIANCE MUST BE EARTHED.

The means of disconnection from the mains supply must have an opening distance of at least 3 mm in all poles.

To operate the unit as an Air Curtain, the maximum distance to the floor must not be greater than 10 metres.

The minimum distance between the Air Curtain and the floor must be 4 metres.

### INSTALLATION

The unit must be fixed to a convenient surface, and the minimum distances shown on Fig. 1 must be kept.

To install the unit, proceed as follows:

If the spiral nuts already placed in the device are used, the centres of the screws (M-12) must be marked according to the table in

Fig.2 (a) and Fig.2 (b). To access the connection cards you must open the front grille by unscrewing the screws marked "A" in Fig. 3. To close, follow the process in reverse order.

### ELECTRICAL CONNECTION Fig. 4 (a) and Fig. 4 (b)

The COR-IND Air Curtains are installed appliances. When installing these air curtains, the standards and regulations in force in your country must be strictly adhered to. Within the installation an electrical isolation switch must be present, to enable the installer to cut all supply lines.

Connect the unit to the mains supply, checking that the voltage and frequency are the same as those indicated on the electrical rating plate. Use the cables with the number of wires and sections as indicated on the wiring diagram for every model.

The connection can be made either through the back or from the side of the units. In case of connection from the side, the connections cover must be mounted through the cable before laying the connections.

Fix the cable with the clamp provided and mount the front cover.

### OPERATION

REMOTE CONTROL CONNECTION. (This control is sold separately as an accessory).

CURTAIN MODEL	REMOTE CONTROL MODEL
COR IND 1000 F	CR-20
COR IND 1500 F	CR-20
COR IND 1000/18	CR-30
COR IND 1000/24	CR-30
COR IND 1500/24	CR-30
COR IND 1500/36	CR-30

IF CONNECTING BETWEEN TWO OR MORE AIR CURTAINS OF THE SAME MODEL (MAX. 5 UNITS), PLEASE REFER TO WIRING DIAGRAM IN Fig. 5 (a) and Fig. 5 (b).

### NOTE:

In the case of multiple connection, the Installer must consider the increased number of feeders based on the number of connected units.

In models COR-IND 1000/18, COR-IND 1000/24, COR-IND 1500/24 and COR-IND 1500/36, when the curtain is stopped using the remote control (CR-30) in hot mode, the resistances will stop and the fan will continue operating for approximately 3 minutes with the aim of reducing the thermal inertia of the resistances.

### **PROTECTION AGAINST OVERHEATING**

The COR-IND Air Curtains are fitted with one thermal fuse which automatically disconnects the unit in case of overheating.

In the event of this happening please contact the official S&P dealer in your area.

### **MAINTENANCE**

The COR-IND Air Curtains do not need any special maintenance, but it is recommended to keep the inlet and outlet grilles clean. Clean them with a dry cloth (avoid using solvents or abrasive detergents). Once a year, the inside parts should be cleaned by a qualified electrician using compressed air or a vacuum cleaner. In order to carry out any maintenance tasks, the omnipolar cut-off device must be activated to ensure that none of the parts inside the apparatus are live.

### **AFTER SALES SERVICE**

In the event of any problems with the unit, it is advised to contact your S&P dealer. Any manipulation of the appliance by personnel not appointed by S&P will cancel the guarantee.

S&P reserves the right to modify the product without prior notice.



C/Llevant,4  
Polígono Industrial Llevant  
08150 Parets del Vallès (Barcelona)  
SPAIN

Tel. 93 571 93 00

Fax. 93 571 93 01

Tel. int. +34 93 571 93 00

Fax. int. +34 93 571 93 11

<http://www.solerpalau.com>



Ref.: 288239007