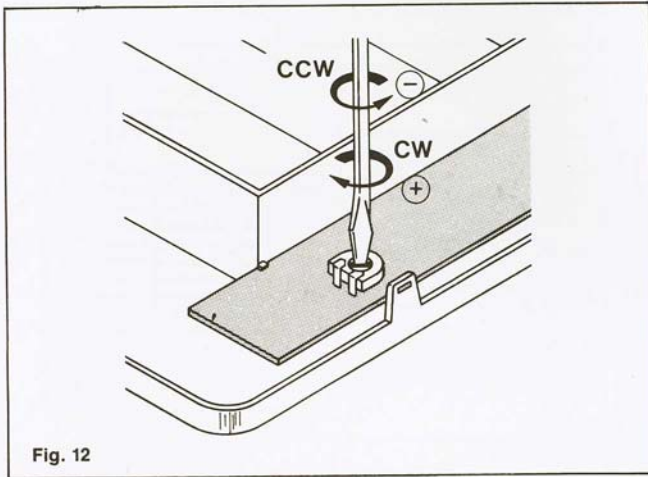
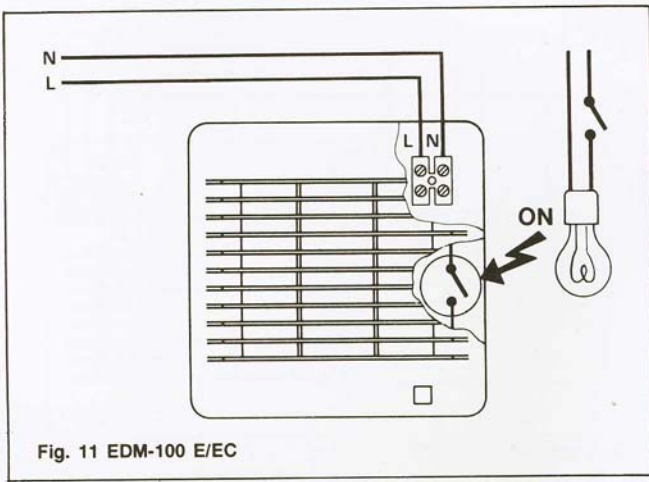


**EDM-100**

**Extractores axiales de presión  
Extracteurs axiaux à pression  
Axial pressure extractors  
Kleinraum-Ventilatoren  
Exautores axiais de pressão  
Estrattori assiali a pressione  
Axiale Afzuigventilatoren  
Axialfläktar  
Wentylator Jazienkowy**





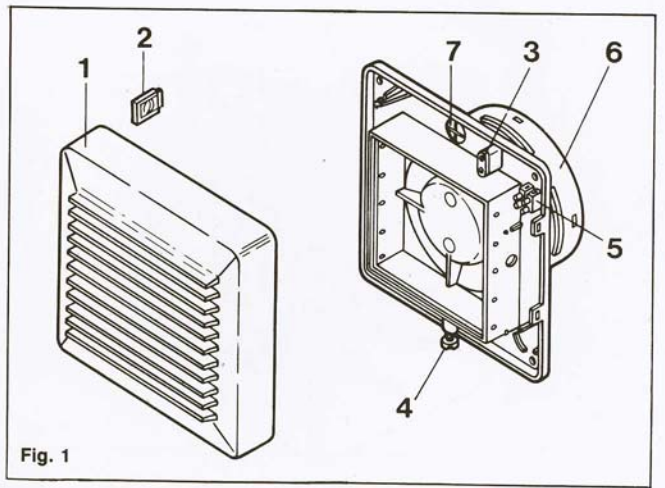


Fig. 1

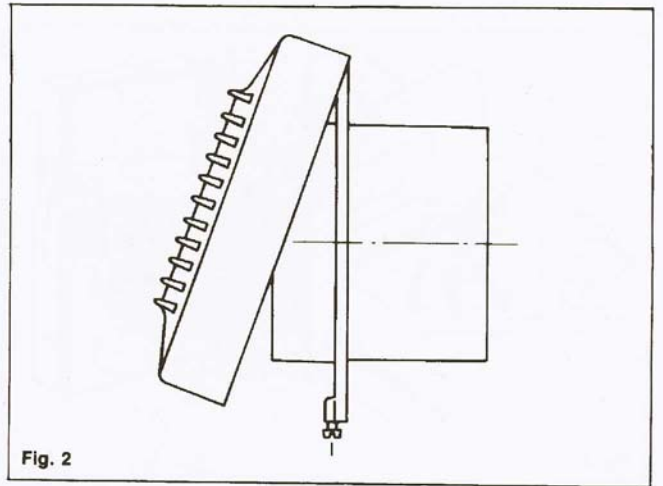
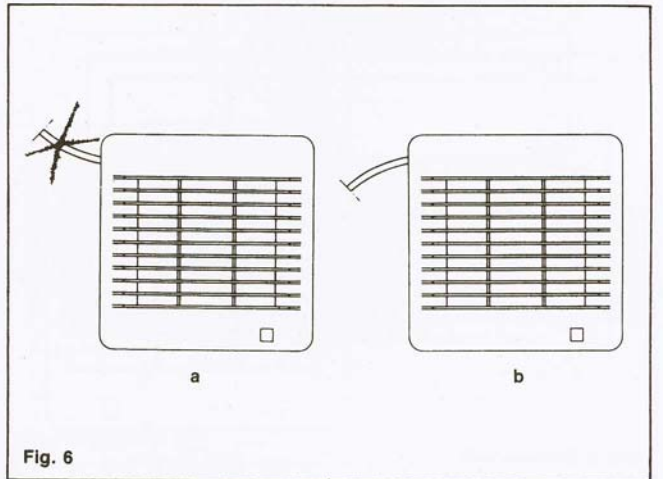
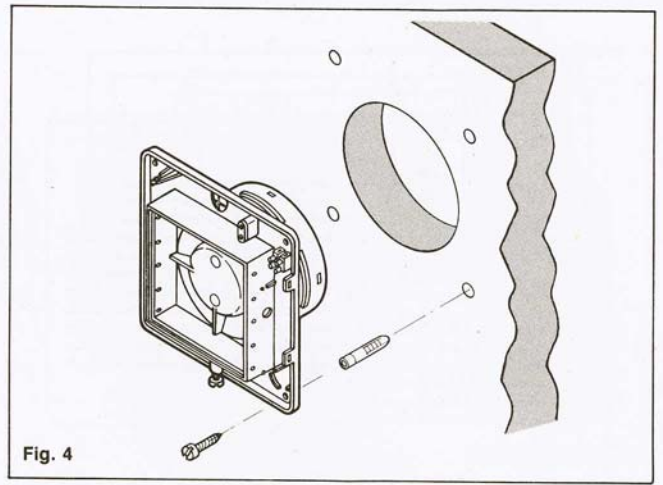
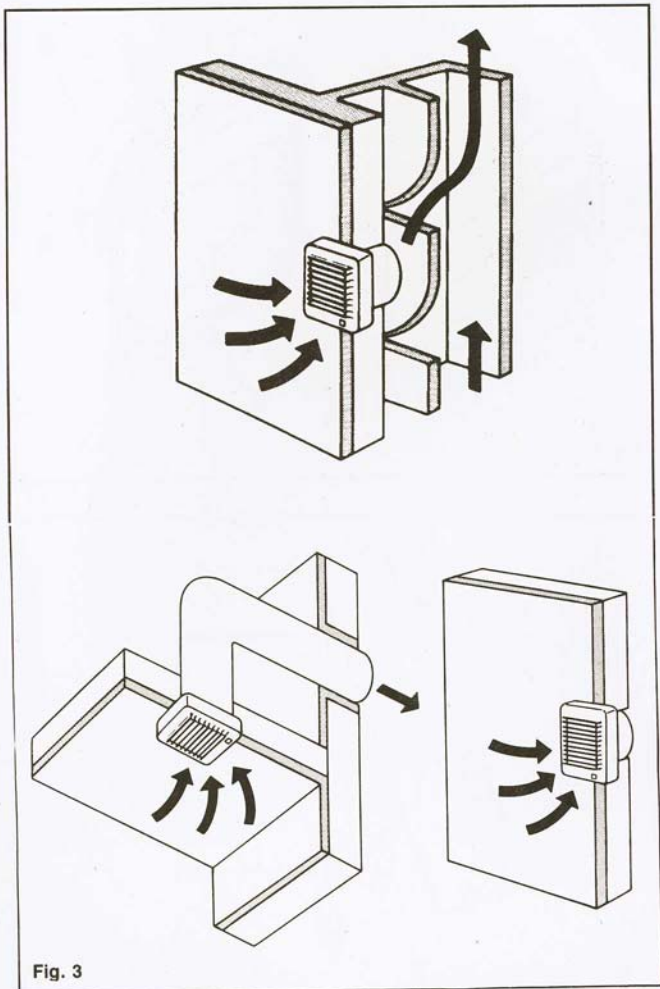
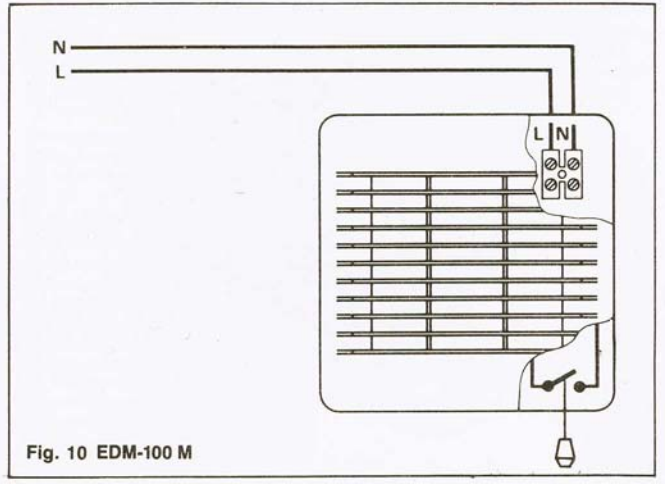
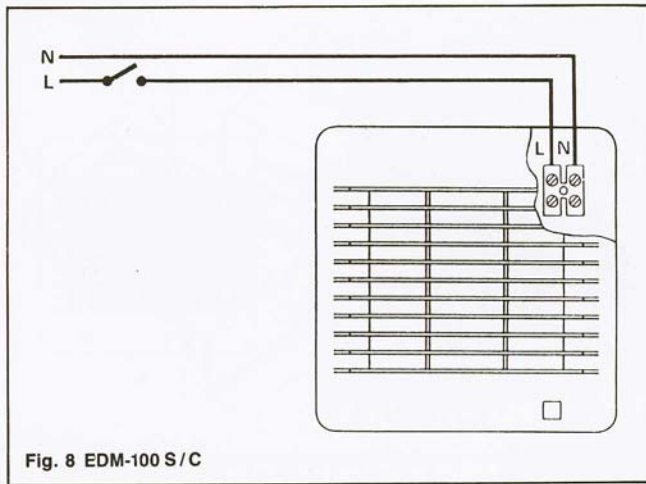
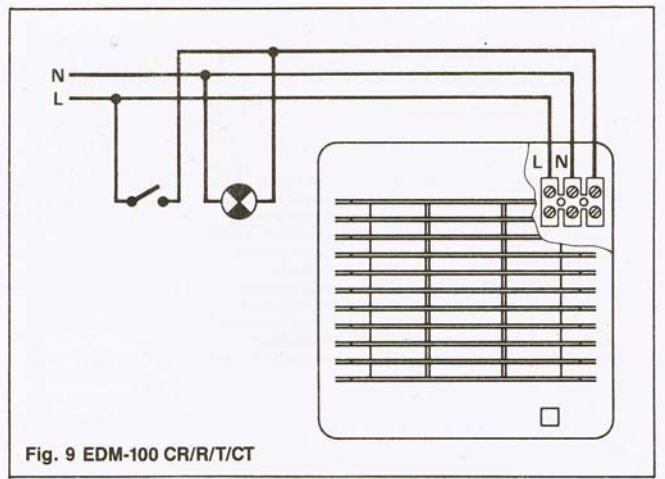
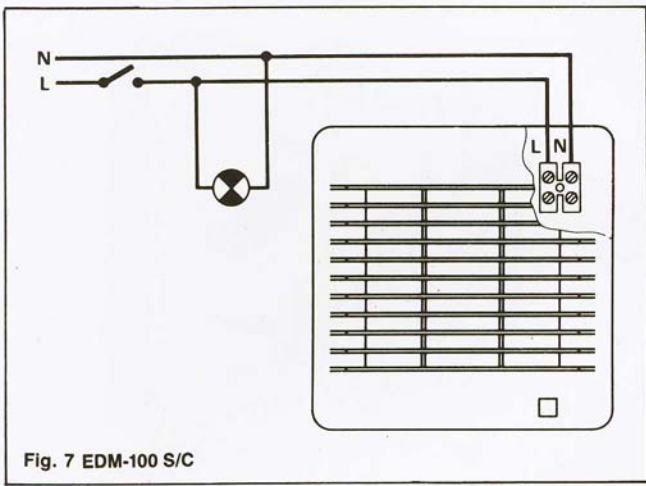


Fig. 2





## Operating and Installation Instructions

Please check the unit on unpacking and before operation. Any defect in workmanship or materials is covered by the SP guarantee

### Description

The EDM-100s are axial pressure extractors with an outlet diameter of 98 mm. They are manufactured in accordance with European safety standards and are double insulated.

### Preparation of the unit for installation

#### Very important:

**Before installing and connecting the unit, make sure you have disconnected the mains supply.**

- 1- Protective wire screen
- 2- Side cable entry
- 3- Clamp
- 4- Clamping screws
- 5- Connection's strip
- 6- Outlet
- 7- Notch

Loosen the screw located at the rear of the protective screen and pull the screen backwards as shown in fig. (2)

Unscrew the threaded ring located at the rear of the unit by turning it anti-clockwise To free the 4 spacers. Fig. (3)

### Installation

The EDM-100 is a bathroom extractor designed for installing in ceilings and walls, with an air discharge to an inner yard, individual duct or communal ventilation system, Fig. (3). To install the unit, a 105 mm diameter hole must be made in the wall or ceiling (unless an individual duct is to be installed, in which case standard 100 mm diameter pipe

should be used). The air outlet of the unit should be placed into the hole and secured using the adhesive tape supplied in the carton.

In order to ensure perfect attachment, fix the unit to the wall with the four screws which are also supplied in the carton, fig. (4). Make sure that there is no obstruction to the passage of air in the outlet duct.

Ensure that the fan blade is not impeded and free to rotate.

### Electrical connection

The EDM-100 extractor has been designed to operate on a single-phase supply in accordance with the voltage and frequency shown on the rating plate located at the back of the unit.

The electrical installation should be made with an single pole isolating switch (with a distance between contacts of at least 3 mm).

The installation can be made with either flush or surface wiring. The choice of system depends on preference and circumstances. If the cable is to be introduced in the side cable entry, this should be done horizontally as shown in fig. (6b), and not as shown in fig. (6a).

When the cable has been fitted by the method selected, push it through the cable-clamp by loosening the screws and then make the electrical connection.

The electrical connection is made at the connection terminals, as shown

in figures (7, 8, 9, 10 and 11), according to the model of the extractor. In the case of models EDM-100 S and EDM-100 C we give two forms of connection. When the unit is installed in an internal bathroom, the form shown in fig. (7) avoids the need for two switches, one for the light and another for the unit.

\* Make sure that the connection made corresponds to your model of EDM-100.

When the electrical connections have been made, replace the protective cover so that it fits well and tighten the clamping screws. Connect the electrical supply and the unit will be ready for operation.

### Adjusting the timer Models EDM-100 R/EDM-100 E/EDM-100 EC / EDM-100 CR

**Very important:  
Before starting to adjust the timer, be sure to disconnect the electrical supply.**

These models are provided with a timer which allows the extractor to continue operating for a selected period once the light has been switched off.

This time delay can be decided by the user, and may vary from a few mins up to 30 minutes.

In order to set the time, turn the knob as shown in fig. (12).

### Photoelectric cell Models EDM-100 E and EDM-100 EC

Models EDM-100 E and EDM-100 EC include a photoelectric cell which turns on the unit on when it detects a light of more than 30 lux.

Therefore, in order to avoid continual operation of the unit, these models should only be installed in internal rooms which have a light intensity at all times of less than 30 lux with the light off. Otherwise we recommend models EDM-100 S or EDM-100 C of our range.

As a guide, a light intensity of less than 30 lux is a level at which reading is impossible for a person with normal eyesight.

\* Do not dismantle the unit other than as required in these installation instruction since any interference will automatically cancel the SP guarantee.

If your unit has any defect, consult the wide network of official SP Service Centres.