

EDM-80 / EDM-80 L



Extractor de aseos y baños
Toilet and bathroom fan
Extracteur pour toilettes et salles de bains
Entlüfer für Bad + WC
Exaustor de casas de banho
Toilet en BadKramer ventilator
Wentylatory lazienkowe
Tuvalet be Banyo fanı



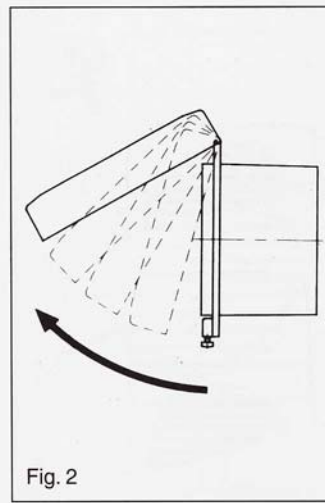
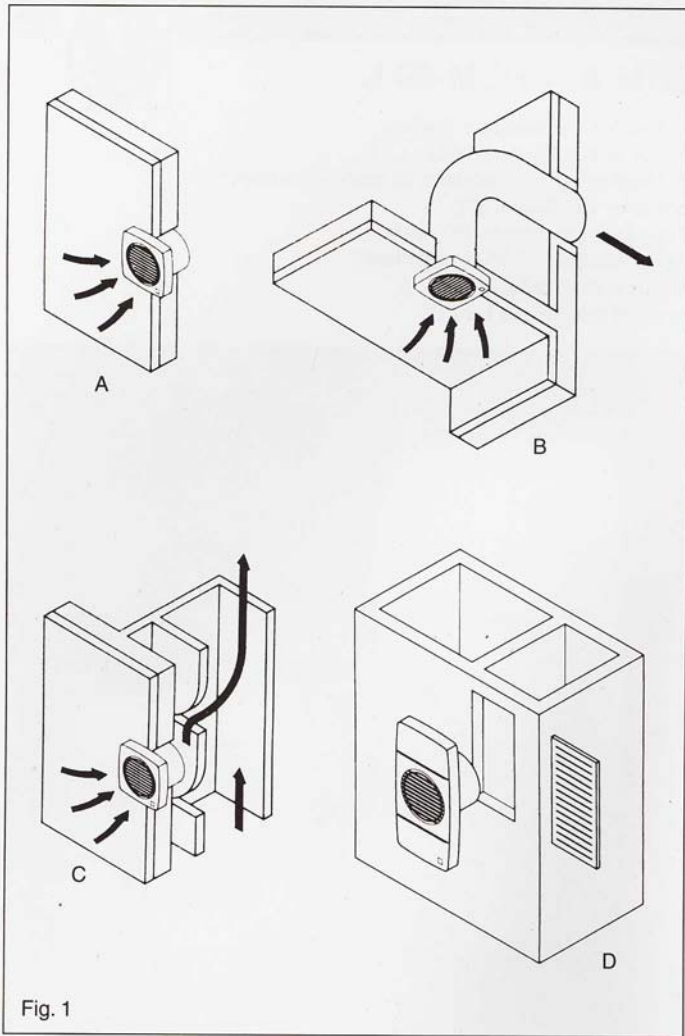


Fig. 2

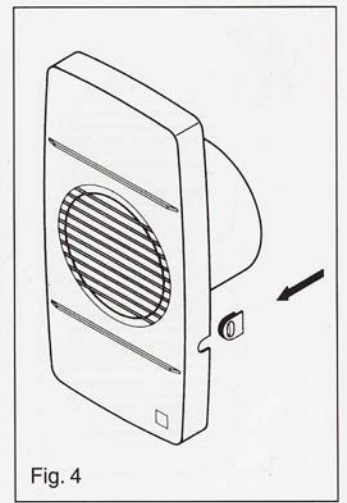


Fig. 4

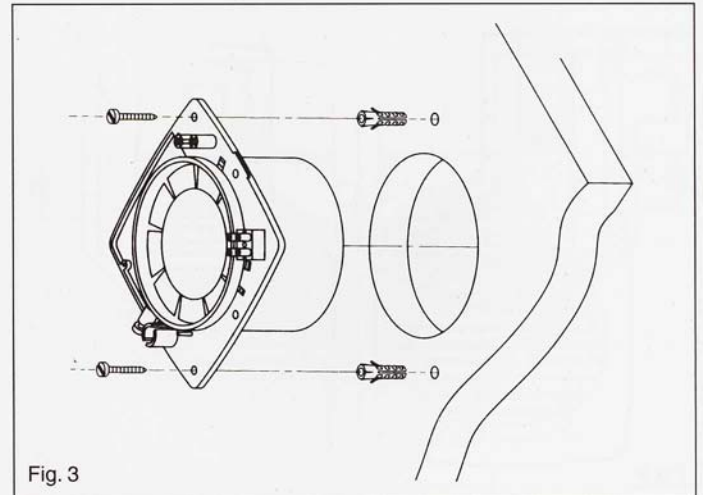
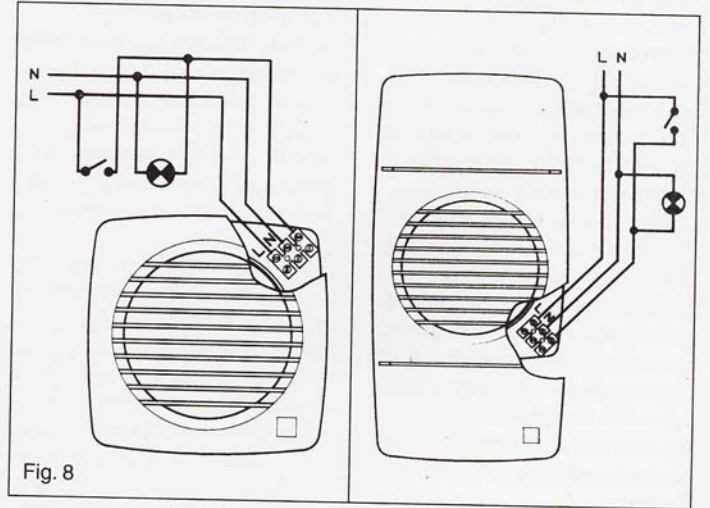
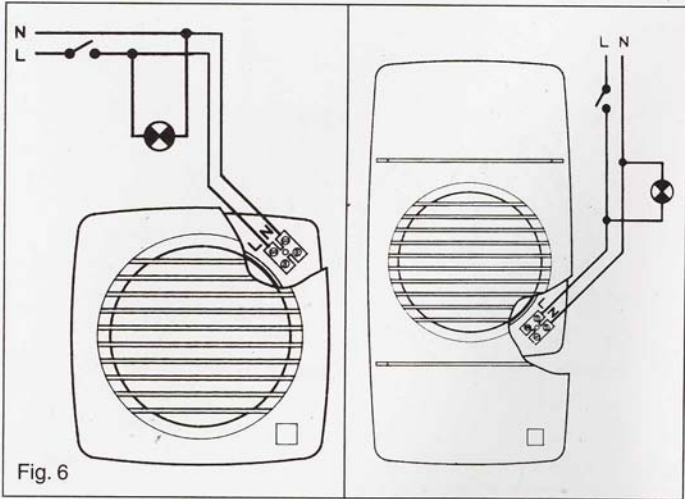
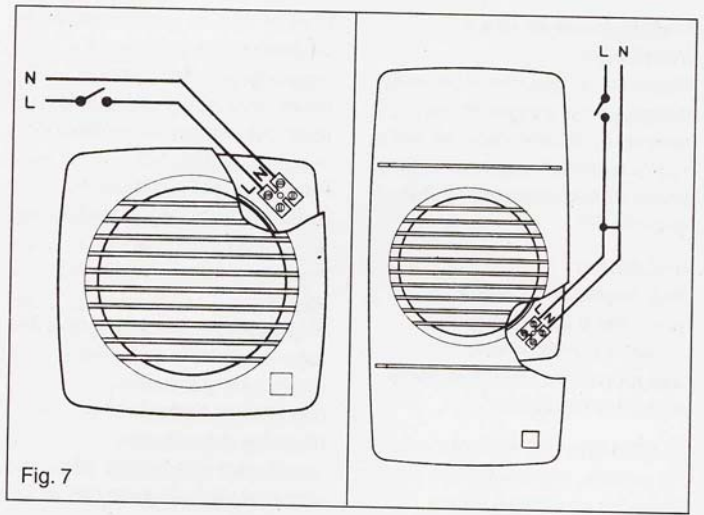
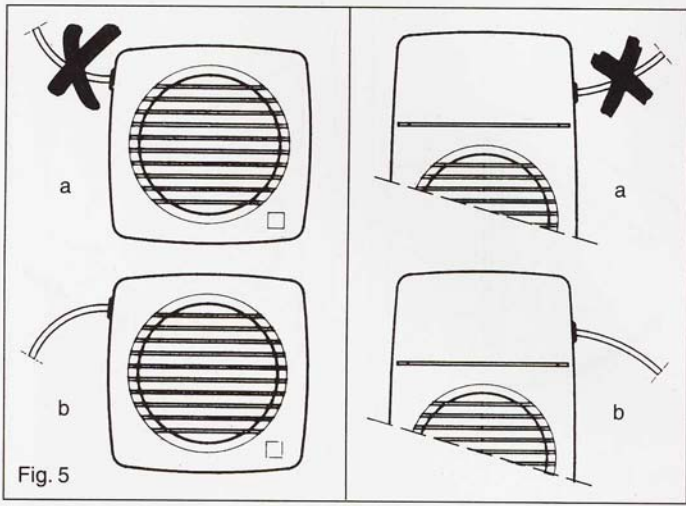


Fig. 3



Operating and installation instructions

Please check that your unit is in perfect conditions when unpackaging it, as any defect of manufacturing is covered by the SP guarantee.

Installation

Important: be sure to switch off the power supply before installing and making the electrical connections

The EDM-80 is particularly suitable for ventilation of bathrooms, toilets, showers, etc. either discharging to outside, or through individual ducts and ductings systems.

The EDM-80 L is particularly suitable for ventilation of bathrooms, toilets, showers, etc. either discharging to outside, or through individual ducts and ducting systems, and has been specially designed for fitting in the same location as a standard builders wall vent.

Before installation, remove the front grille by loosening the fixing screw (Fig. 2).

A circular hole approximately 100 mm Ø diameter must be made in the wall or ceiling and the fan spigot inserted into the hole, fixing the fan casing by means of

the wall plugs and screws supplied. Ensure that there are no obstructions to the airflow is discharge is to outside or into a communal ventilation system. When individual outlet ducting is used, standard 100 mm Ø diameter should be used. In this case, the self adhesive tape supplied should be used to seal the gap between the fan and the duct.

Wiring

The EDM-80 L is suitable for connection to a single phase supply at the voltage and frequency indicated on the rating plate. This appliance has double (Class II) electrical insulation and therefore does not require earthing.

Connection terminals are situated under the front cover.

There should be a double pole isolating switch in the installation (with a contacting opening of at least 3 mm).

For surface wiring pass the cable through cable gland as shown in Fig. 5b (not as Fig. 5a) then under the cable anchorage secure.

For recessed wiring, open membrane in fan back plate, pass cable through and secure with cable anchorage.

EDM-80 / EDM-80 L

The connection may be made in such a way that fan comes into operation when the light is switched on (Fig. 6), alternatively an independent switch may be used (Fig. 7).

EDM-80 T / EDM-80 LT

Model fitted with an adjustable timer (1-30 min.) enables the extractor to continue running during the time delay, after the switch has been switched off (Fig. 8).

We recommend you not to try and remove any more parts than those mentioned as any tampering would automatically cancel the SP guarantee.