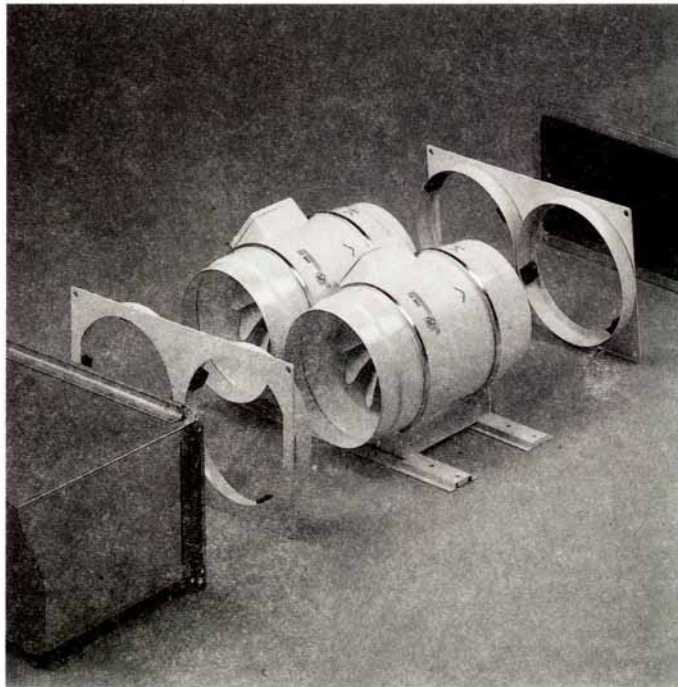




## **KIT TWIN BASE**

Instrucciones de uso e instalación  
Mode d'emploi et installation  
Operating and installation instructions  
Gebrauchs-und Einbaunweisung  
Montage en gebruiksaanwijzing



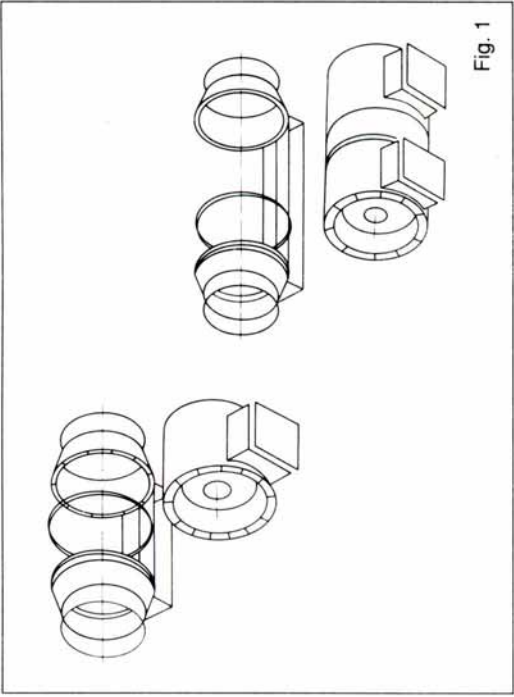


Fig. 1

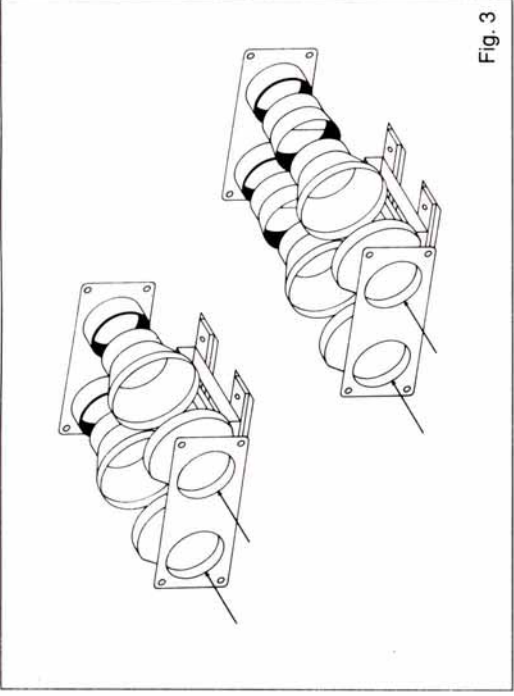


Fig. 3

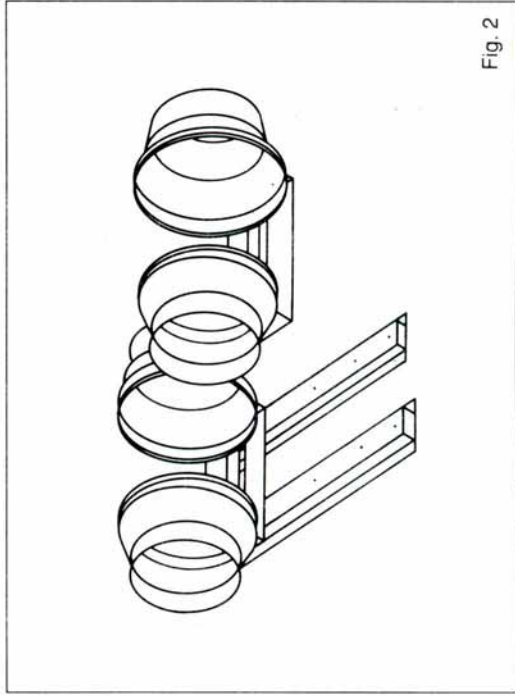


Fig. 2

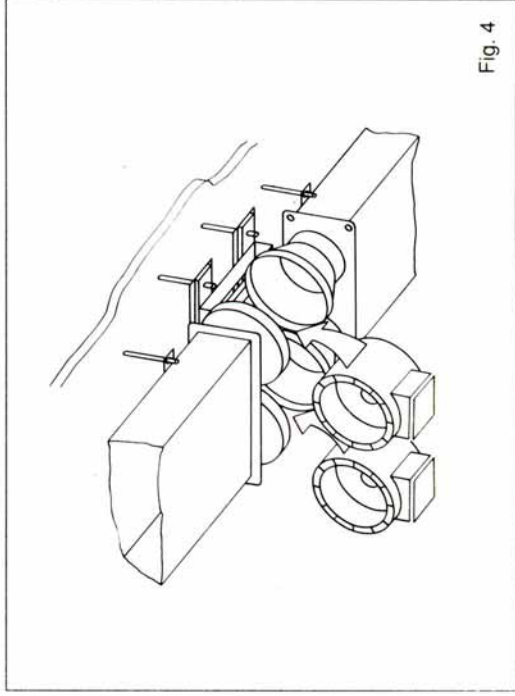


Fig. 4

## **Operating and installation instructions**

### **KIT TWIN BASE (2 traverse supports MTR, 2 rectangular couplings MAD, bolts and nuts)**

#### **Fitting**

The use of the KIT TWIN BASE, enables you to assemble the Mixvent Twin (or Twinx2) from 2 TD's (or TDx2) and provides for efficient coupling to the ducting system. When it is intended to use only one fan assembly it is important to remember the need for back draught shutters to prevent air re-cycling.

- 1) Remove the fan bodies of the TD (or TDx2) from their support assemblies.
- 2) Fix the two support assemblies to the traverse supports using the bolts and nuts provided, do not tighten.
- 3) Fit the rectangular couplings pieces and tighten the bolts.  
To mount the back draught shutters, insert them between the support assembly and the rectangular

couplings at the discharge side (direction of air flow shown by arrows marked on support assemblies).

- 4) Fix the whole assembly in position and make connections to the ducting system.

Fix the fan bodies.

We would recommend the use of anti-vibration mounts to reduce noise transmission.