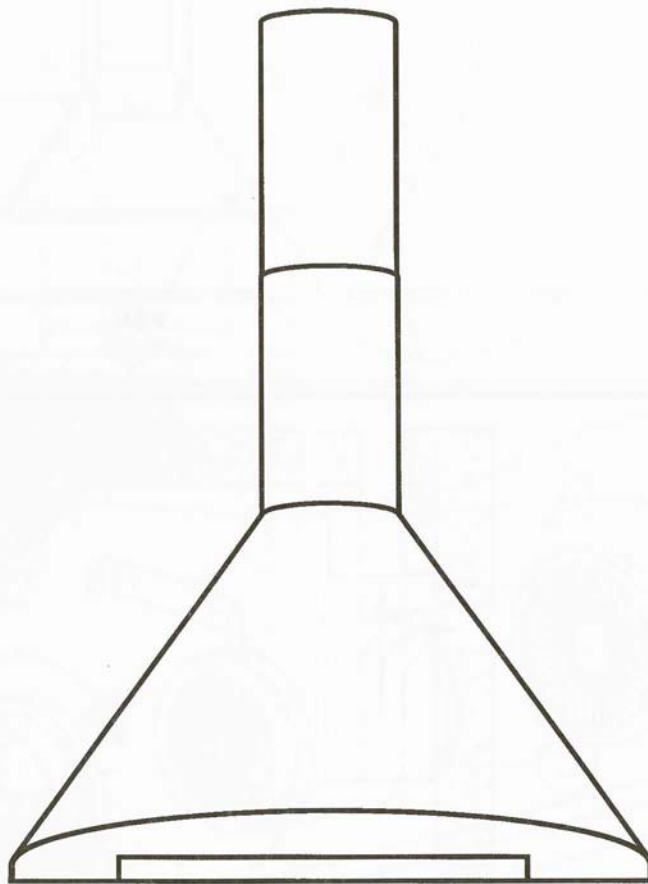




SELENE-600N Inox
SELENE-900N Inox



Instrucciones de montaje y uso
User Instructions
Notice d'utilisation
Instruções de utilização

Fig. 1

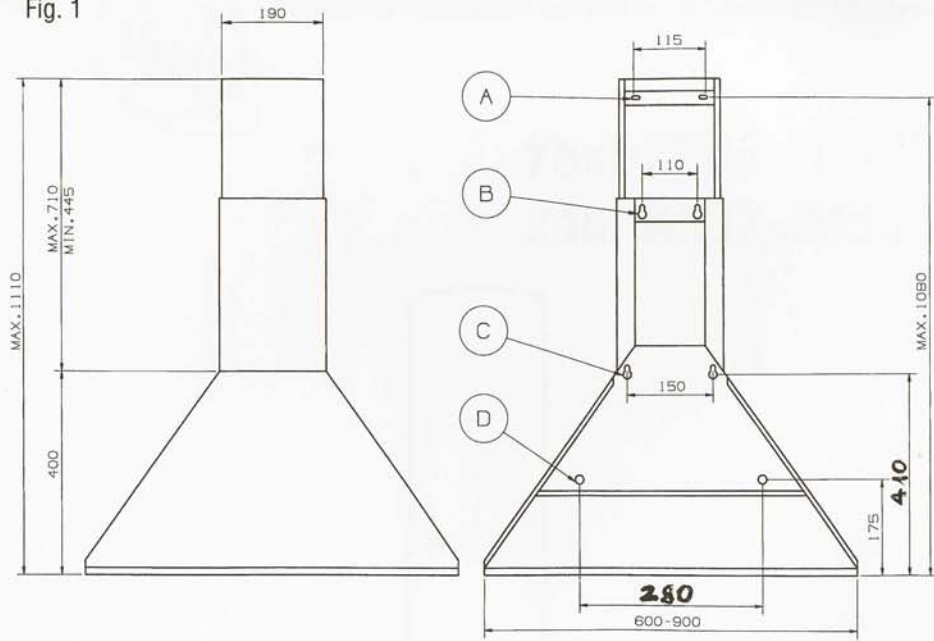


Fig. 2

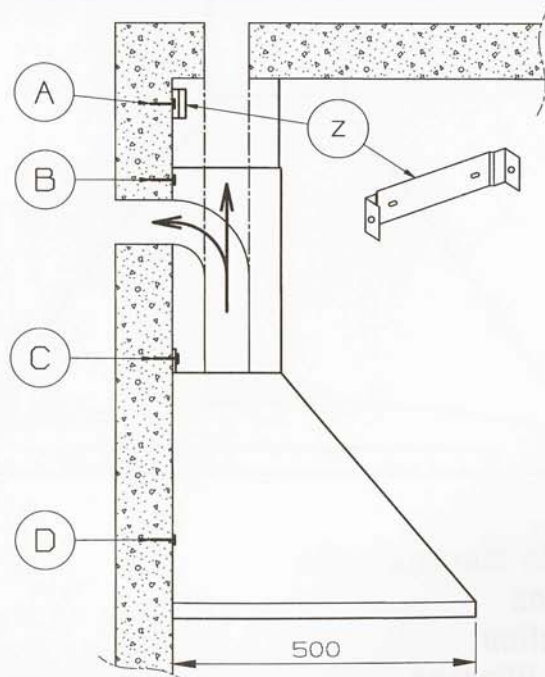


Fig. 3

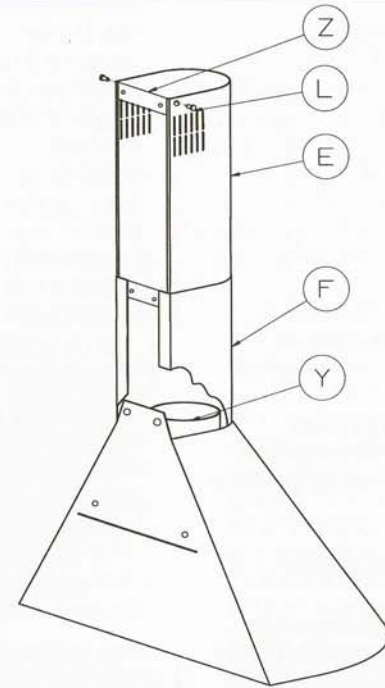
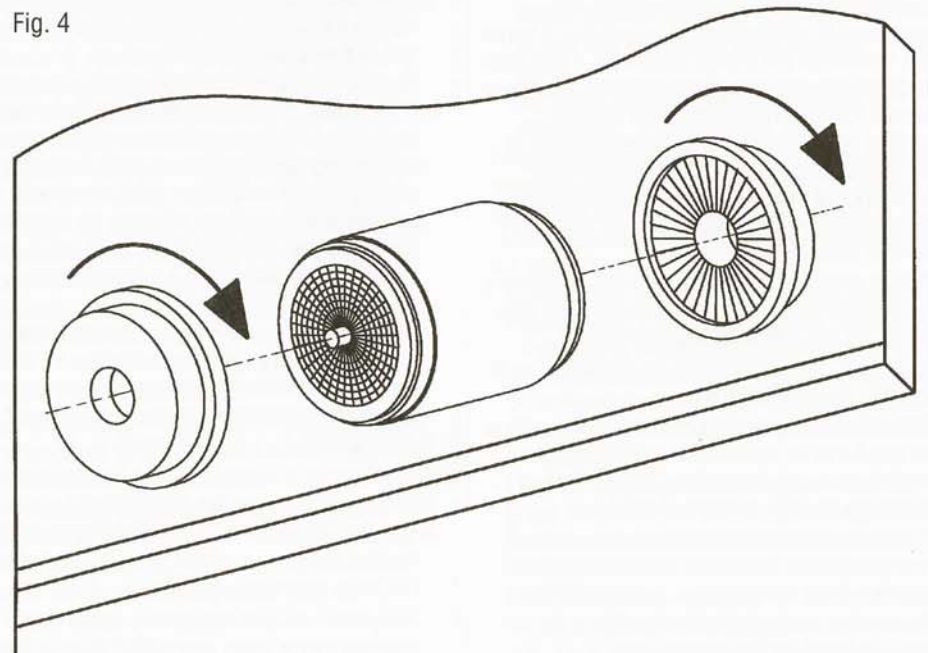


Fig. 4



GENERAL

The SELENE range of Kitchen Cooker Hoods have been manufactured to the rigorous standards of production and quality control in accordance with CE recognised International Quality Standards. All components have been checked and tested at the end of the manufacturing process.

Before any installation or connection we would advise that the following instructions are carefully read and then kept in an accessible area for future reference.

All S&P appliances are supplied in perfect condition and operation. However found to be defective the unit should be returned to the supplier in accordance with the terms of the S&P guarantee.

This cooker hood appliance has been designed to either exhaust air (to external environment) or re-circulate filtered air (internal re-circulation) back into the internal environment. The SELENE units are supplied as standard, suitable for exhaust air operation (carbon filter kit for re-circulation is offered as an accessory item – please enquire).

INSTRUCTIONS

1. IMPORTANT SAFETY INSTRUCTIONS FOR INSTALLATION

- Do Not connect the exhaust port of the appliance to a ducted flue in which warm air circulates or which is used to remove fumes from other heating (gas, coal or other) appliances.
- Household fuel burning equipment, such as heating systems, require sufficient air for the proper combustion and exhaust of gases through installed flues (chimneys) to prevent back drafting. All installations should be made in accordance with the requirements of the heating equipment manufacturers safety guidelines; and both national and local safety standards concerning fuel burning appliances and operation.
- All SELENE Cooker Hoods should be installed in accordance with all applicable National and Local standards and regulations pertaining to the country of installation.
- Ensure that any connected exhaust ducting is free from any obstructions to the airflow.
- To optimise the extract operation of the appliance we would recommend that the unit is installed with the minimum possible distance from the point of discharge. When using flexible ducting, the ducting should be taught and suitable for use with elevated temperatures.
- All ducting connections between the appliance and the external exhaust point should be sealed to prevent any air leakage.

- Do Not check or remove the filters when the appliance is switched – ON.
- Do Not touch the lamps after prolonged operation of the appliance.
- Do Not cook any "Flambé," foods directly under the cooker hood.
- Do Not use and un-protected flame under the cooker hood as it could cause a fire.
- To avoid frying pan or oil fires, the cooking of all fried foods should be observed at all times.

THE MANUFACTURER DOES NOT ACCEPT ANY RESPONSIBILITY FOR ANY EVENTUAL DAMAGES DUE TO THE IMPROPER USE OR NEGLIGENCE OF THE APPLIANCE AND THE FAILURE TO OBSERVE THE ABOVE INSTRUCTIONS.

2. INSTALLATION

2.1 ELECTRICAL CONNECTION

All SELENE cooker hood appliances are manufactured with Class II insulation, which requires no earth connection.

- Before installation ensure that the voltage and frequency of the electrical supply correspond with that indicated on the appliance data plate label.
- All SELENE cooker hood appliances are suitable for connection to single phase electrical supplies as follows:
 - BROWN = L (Live)
 - BLUE = N (Neutral)
- If the appliance is connected to a suitably rated plug, the plug socket must be located when it can be easily accessed by the end user.
- If the appliance is intended to be connected directly to the mains supply, then the electrical connection must be securely made to the terminal block located inside the appliance. In addition the electrical connection must include a double pole switch with a contact clearance of at least 3mm.
- Do Not install lighting bulbs of greater wattage than that recommended. Always fit the same type of lighting bulb. If the lamps do not work, ensure that the screw connection is sufficiently tightened.

2.2 MOUNTING THE HA COOKER HOODS

The appliance must be installed at a minimum height of 650mm above electric hob cookers or 750mm above gas or any other cooker hob types.

- Drill six (6) holes, A,B & C according to the dimensions shown in Figure (1).
- Ensure that the installation screws and rawplugs are suitable for the type of wall where the appliance is intended to be installed. If necessary change the screws and rawplug types accordingly.
- Insert all of the rawplugs and fix the support Z to

the wall in accordance with the dimensions and screws provided as shown in Figure (2).

- Insert the screws in position "C" without fully tightening. Then whilst holding the appliance up to the wall, move the appliance into the desired position and fix and tighten the screws to the wall at positions "C," Figure (2).

2.3 EXHAUST (TO OUTSIDE) OPERATION

- Connect the cooker hood exhaust port flange to 120mm flexible or rigid ducting as required, Figure (3). Pass this ducting through the hole provided to the outside ready for the exterior grill connection. **Important** : Do Not install any ducting if the appliance is required to be used for re-circulation operation.

- Insert the screws in holes "B" without fully tightening, Figure (2). Introduce the upper casing part E into the inside of casing part F, Figure (3); then hang the casing part F on each of the screws B. Slide part E upwards and onto the support Z, locating the side holes and secure with screws provided, Figure (3). Ensure that all screws and parts are secure and fixed in place.

2.4 RE-CIRCULATION OPERATION. FIGURE 4

- Install the cooker hood (without ducting) and the two vertical casing parts as previously mentioned in point 2.2 & 2.3.
- To use the SELENE kitchen cooker hoods for re-circulation operation, the SELENE-Carbon Filter KIT should be obtained from your local S&P product dealer. The kit contains a carbon filter series for the filtration of grease and odours. The instructions for installing this filter are included in the SELENE-KIT. However, if the instructions are not included contact your local S&P dealer for details.
- The carbon filter is intended to be fitted inside the cooker hood at the fan exhaust (in front of the motor). It can be fitted and removed by simply turning the filter housing 90° until a click is heard. The filter can then be dropped down and replaced, Figure (4). The filtered air is exhausted into the kitchen area through the grilles located in part E.

3. OPERATION AND MAINTENANCE

- IMPORTANT:** Before any installation or maintenance, ensure that the equipment is disconnected from the mains electrical supply.
- It is advisable to read and understand the various operational functions of the appliance before using for the first time. After any period of cooking, the appliance should be left to continue operating for a further period of 15 mins to ensure all grease laden air and fumes

have been completely removed.

- Switch operations:



- A Light OFF
- B Light ON
- C OFF
- D Low Speed.
- E Medium Speed
- F High Speed

- To ensure optimum operation of the SELENE Kitchen Cooker Hood the appliance, and in particular the filters, must be cleaned on a regular basis.
- The purpose of the aluminium filter panel is to capture airborne grease laden air. After prolonged use the filters will become blocked or clogged and require cleaning depending upon the nature and intensity of usage. To optimise the performance of the filter and to prevent and potential hazards, the following cleaning guidelines should be followed at least every two months:
 - Remove the filters from the appliance and clean using solution of warm water and liquid detergent (not abrasive) fluid.
 - Leave the filters to completely dry.
 - If required, the grease filters are suitable for cleaning in a dishwasher.
- After cleaning the aluminium filter panel frames might show signs of discoloration. This characteristic is normal when cleaning these parts and would do not warrant any replacement parts.
- The carbon filters used for re-circulation operation are not washable. They should be replaced at least every four months or dependant upon use. The saturation of the carbon filters is dependant upon the frequency and intensity of the appliance usage. In addition the carbon filter life is directly linked to the frequency of cleaning the panel grease filters.
- All other grease deposits on the casing and the fan should be cleaned using a cloth moistened with methylated spirits or neutral non abrasive fluid detergents.
- To replace the bulbs within the integrated lights; first the grease filter panels must be removed to provide access to the lighting fittings. The bulb should be replaced with the another of the same type and rating: 230V – 40W.