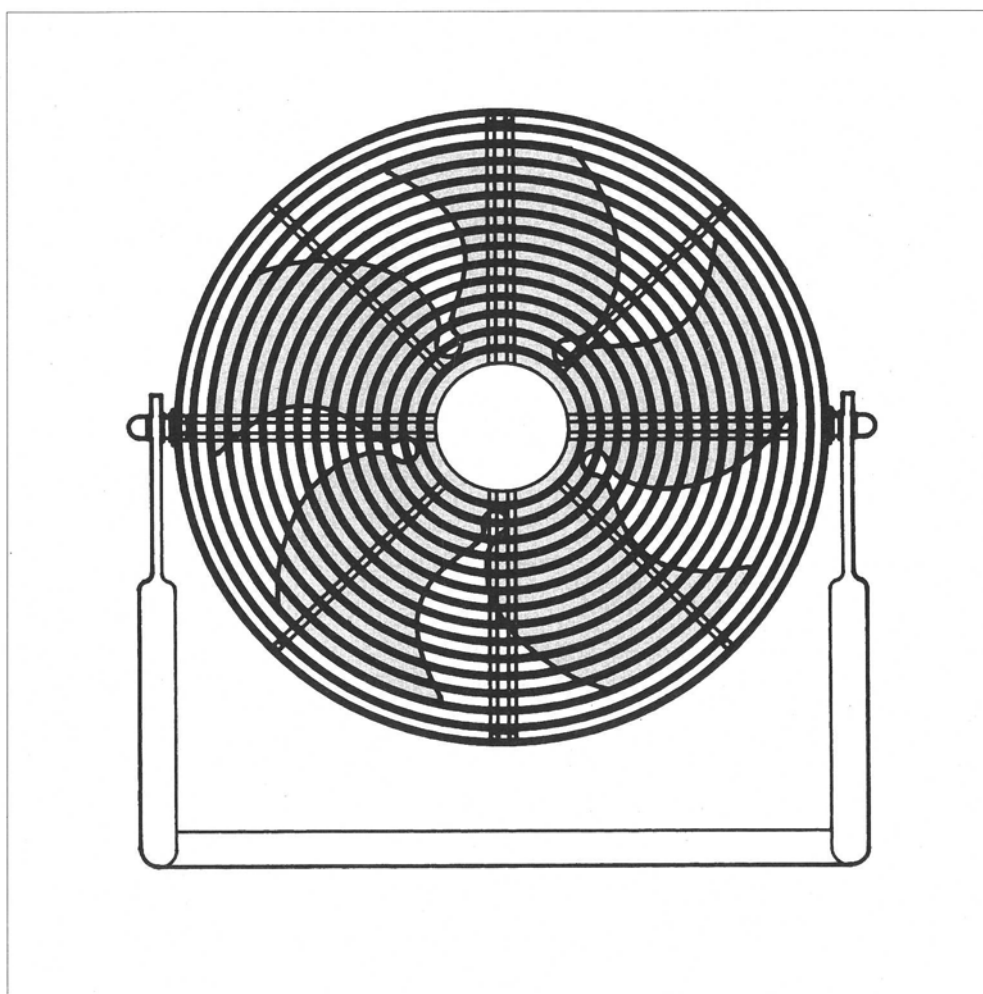


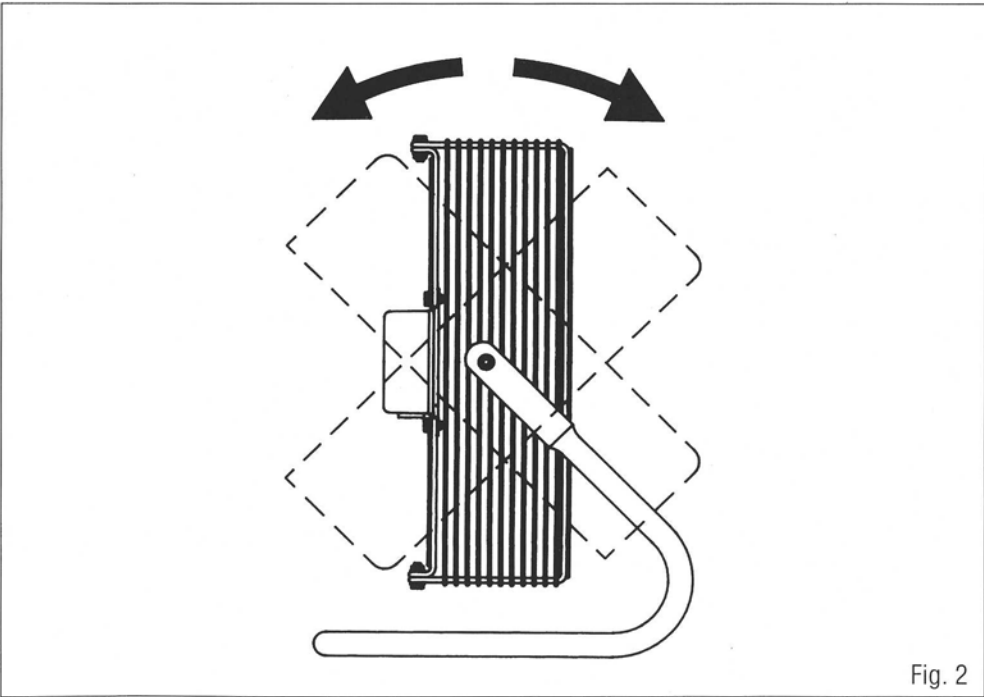
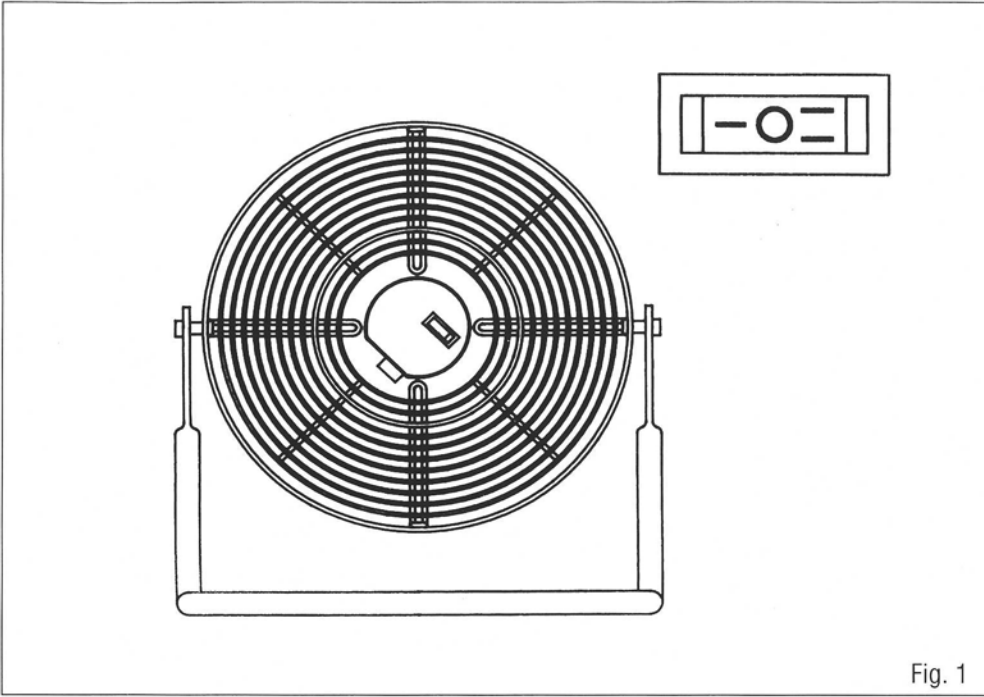
---

---

**TURBO-3000**



**Instrucciones de uso**  
**Operating instructions**  
**Instructions d'utilisation**



## Operating instructions

The TURBO-3000 cooling fan is the most efficient solution to the discomfort caused by excessive heat and it creates a fresh and healthy atmosphere. Its design and development has been carried out using the most advanced technology to ensure that the product will be safe, efficient and practical in operation.

We recommend that the appliance is checked immediately on unpacking it, as any manufacturing fault is covered by the S&P guarantee.

## Safety recommendations

- Ensure that the voltage and frequency of the mains supply are as stated on the rating plate of the unit, situated beneath the terminal box.
- This appliance must be earthed. The use of adapters or multiple sockets is not recommended.
- The grilles should be kept clean at all times.
- In the event of damage to the mains flex, this should only be replaced by a qualified electrician or an officialy appointed after sales service organisation.

## Operation

Once the voltage and frequency have been checked, connect to the mains supply.

The switch has three positions (Fig. 1):

0 = Stop

I = Low speed

II = High speed

## Tilting head

The Turbo-3000 cooling fan is provided with an adjustable head, which can be adjusted by simply pushing it up or down.

## Important

The removal of any or component other than those specifically mentioned is not recommended, as any unauthorised interface would automatically cancel the S&P guarantee. If you detect any fault, please contact your S&P dealer.



**230 V ~ 50 Hz 130 W**